

## Remanufactured Transmissions, Spare Parts, and Kits Catalog

### Ford S6-650 Diesel Units

ZF Part #	Ford Part #	ZF Reman #	Ford Reman #	Engine	Application	Ratio	Speedo
1319 050 004	F81A 7003 CD	1319 050 005	F81Z 7003 CERM	7.3	4 x 2	5.79-0.72	Electronic
1319 050 005	F81A 7003 CE			7.3	4 x 2	5.79-0.72	Electronic
1319 050 022	F81Z 7003 CG			7.3	4 x 2	5.79-0.72	Electronic
1319 050 002	F81A 7003 DD	1319 050 006	F81Z 7003 DERM	7.3	4 x 4	5.79-0.72	Electronic
1319 050 006	F81A 7003 DE			7.3	4 x 4	5.79-0.72	Electronic
1319 050 023	F81Z 7003 DG			7.3	4 x 4	5.79-0.72	Electronic

Model Year 1999 - 2000

S6-650 standard torque transmissions may be replaced with the S6-650 High Torque transmissions.

**Diesel units must use ZF recommended Dexron III/MERCON XT-2 QDX or DDX equivalent.**

### Ford S6-650 Gas Units

ZF Part #	Ford Part #	ZF Reman #	Ford Reman #	Engine	Application	Ratio	Speedo
1319 050 043	2C34 7003 GC	1319 050 043	2C3Z 7003 GCRM	6.8/5.4	4 x 2	5.79-0.72	Electronic
1319 050 044	2C34 7003 HC	1319 050 044	2C3Z 7003 HCRM	6.8/5.4	4 x 4	5.79-0.72	Electronic
1319 050 061	3C34 7003 MA	1319 050 081	6C3Z 7003 MARM	6.8/5.4	4 x 2	5.79-0.72	Electronic
1319 050 053	2C34 7003 GD			6.8/5.4	4 x 2	5.79-0.72	Electronic
1319 050 065	5C34 7003 MA			6.8/5.4	4 x 2	5.79-0.72	Electronic
1319 050 081	6C34 7003 MA			6.8/5.4	4 x 2	5.79-0.72	Electronic
1319 050 062	3C34 7003 NA	1319 050 082	6C3Z 7003 NARM	6.8/5.4	4 x 4	5.79-0.72	Electronic
1319 050 054	2C34 7003 HB			6.8/5.4	4 x 4	5.79-0.72	Electronic
1319 050 066	5C34 7003 NA			6.8/5.4	4 x 4	5.79-0.72	Electronic
1319 050 082	6C34 7003 NA			6.8/5.4	4 x 4	5.79-0.72	Electronic
1319 050 083	7C34 7003 MC	1319 050 085	7C3Z 7003 MRM	6.8/5.4	4 x 2	5.79-0.72	Electronic
1319 050 085	7C34 7003 MB			6.8/5.4	4 x 2	5.79-0.72	Electronic
1319 050 084	7C34 7003 NC	1319 050 086	7C3Z 7003 NRM	6.8/5.4	4 x 4	5.79-0.72	Electronic
1319 050 086	7C34 7003 NB			6.8/5.4	4 x 4	5.79-0.72	Electronic

Model Year 2002 - FEB 2011

**Gas units must use ZF recommended Dexron III/MERCON XT-2 QDX or DDX equivalent.**

### Ford S6-650 High Torque Diesel Units

ZF Part #	Ford Part #	ZF Reman #	Ford Reman #	Engine	Application	Ratio	Speedo
1319 050 024	1C34 7003 BB	1319 050 045	1C34 7003 BDRM	7.3	4 x 2	5.79-0.72	Electronic
1319 050 037	1C34 7003 BC			7.3	4 x 2	5.79-0.72	Electronic
1319 050 045	1C34 7003 BD			7.3	4 x 2	5.79-0.72	Electronic
1319 050 050	2C34 7003 JA	1319 050 050	2C3Z 7003 JARM	7.3 V8DIT	4 x 2	5.79-0.72	Electronic
1319 050 025	1C34 7003 CB	1319 050 046	1C34 7003 CDRM	7.3	4 x 4	5.79-0.72	Electronic
1319 050 036	1C34 7003 CC			7.3	4 x 4	5.79-0.72	Electronic
1319 050 046	1C34 7003 CD			7.3	4 x 4	5.79-0.72	Electronic
1319 050 049	2C34 7003 KA	1319 050 049	2C3Z 7003 KARM	7.3 V8DIT	4 x 4	5.79-0.72	Electronic

Model Year 2001 - Mid 2003

S6-650 standard torque transmissions may be replaced with the S6-650 High Torque transmissions.

S6-650 High Torque transmissions may not be substituted with the standard torque transmissions.

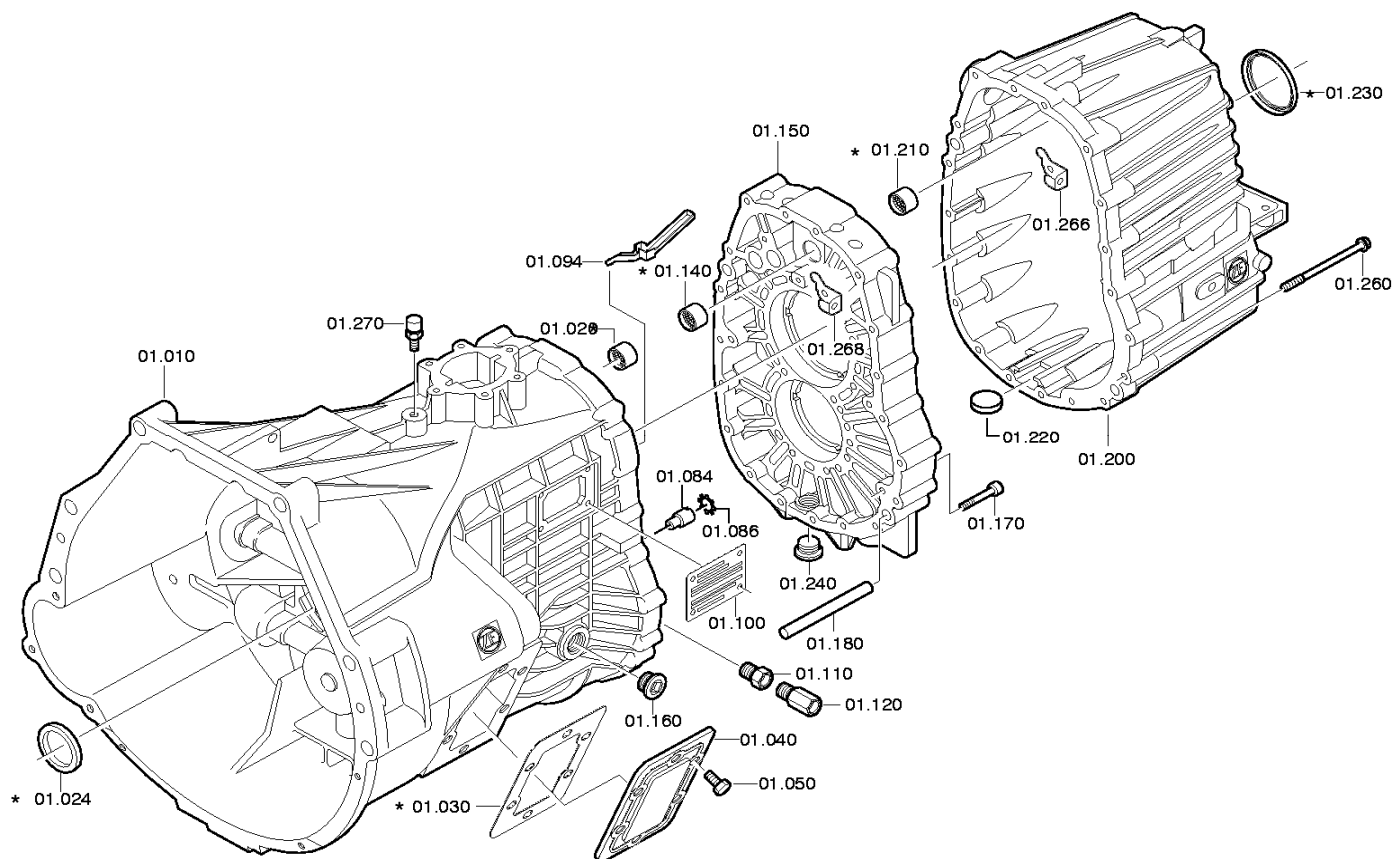
**Diesel units must use ZF recommended Dexron III/MERCON XT-2 QDX or DDX equivalent.**

**P.T.O Gear Change** - Model year 2008 and up transmissions ZF Reman # 1319 050 085 and 086 have a modified pressure angle on the 39 tooth P.T.O drive gear. These transmission must not be used with earlier model P.T.O assemblies or severe internal damage will occur.

## Remanufactured Transmissions, Spare Parts, and Kits Catalog

### S6-650 Spare Parts - Gearbox Housing Group

Pos #		Description	Unit Specification (1319 050 ____)
01.010 **	1319 201 001	Main Housing <b>with</b> Check Valve	005/006/022/023/024/025/036/037/045/046/049/050
	1319 301 025	Main Housing <b>less</b> Check Valve	005/006/022/023/024/025/036/037/045/046/049/050
	1319 301 084	Main Housing <b>less</b> Check Valve	043/044/053/061/062/065/066/081/082/083/084/085/086
01.040	1304 301 035	Cover	All
01.050	0736 617 084	Hexagon Screw	All
01.084	0501 212 997	Check Valve	All
01.086	0630 532 207	Indented Ring	All
01.094	1319 301 012	Oil Feeder	All
01.110	0501 209 815	Stop Screw	All
01.120	0501 210 762	Stop Screw	All
01.150	1319 301 047	Intermediate Housing	All
01.160	0501 214 641	Screw Plug	All
01.170	0636 115 170	SH Bolt M8X50	All
01.180	0631 306 719	Dowel Pin 12 M6X70	All
01.200	1319 301 072	Rear Housing 4x2	004/005/022/024/037/043/045
	1319 301 073	Rear Housing 4x4	002/006/023/025/036/044/046
	1319 301 058	Rear Housing 4x4	049/054/062/066/082/084/086
	1319 301 054	Rear Housing 4x2	050/053/061/065/081/083/085
01.220	1048 301 010	Magnet	All
01.240	0501 214 641	Screw Plug	All
01.260	0736 010 258	Screw	All
01.266	1307 301 237	Fixing Plate	All
01.268	1307 301 237	Fixing Plate	All
01.270	0501 218 540	Breather	All except
	0501 314 851		043/044/053/054/061/062
01.280	0750 101 028	Cylindrical Pin	002/006/023/025/036/044/046/049/050/054



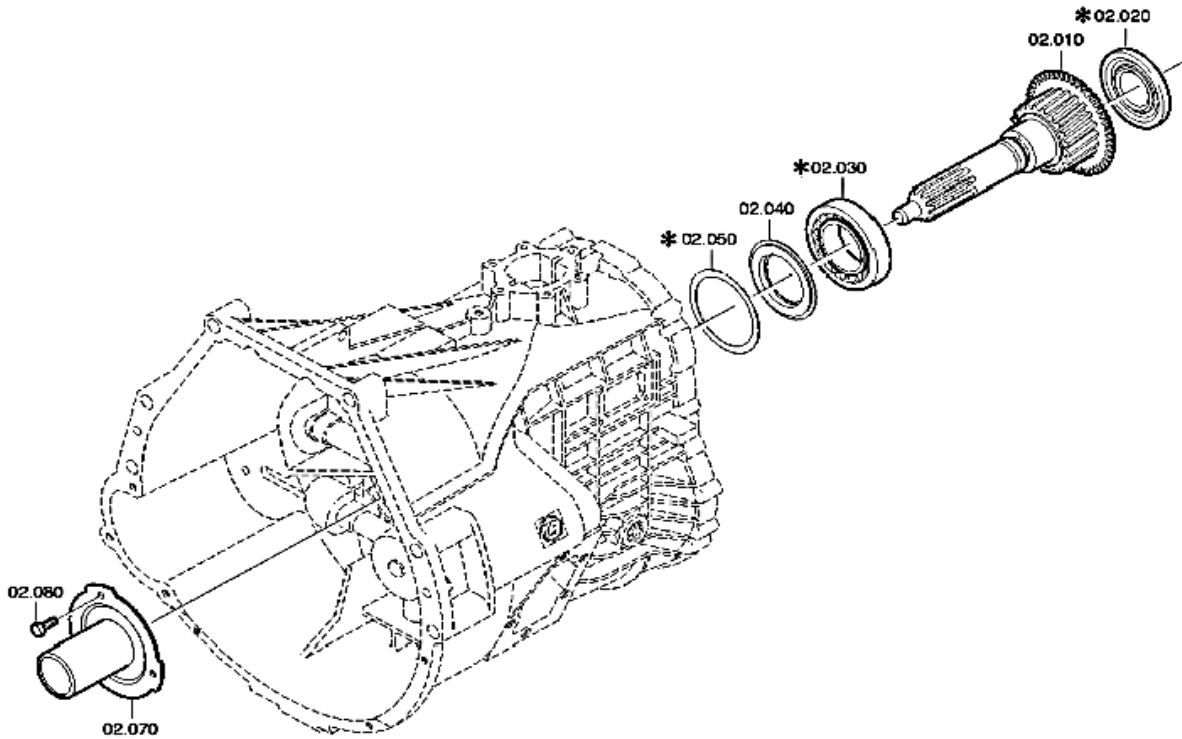
\*ONLY AVAILABLE IN KITS

\*\* Main housing requires purchase of items 01.084, 01.086, 01.270

## Remanufactured Transmissions, Spare Parts, and Kits Catalog

### S6-650 Spare Parts - Input Shaft Group

Pos #		Description	Unit Specification (1319 050 ___)
02.010	1319 202 026	Input Shaft	004/005/006/022/023/024/025/036/037/045/046/049/
	1319 202 027	Input Shaft	083/084/085/086
	1319 202 023	Input Shaft	043/044/053/054/061/062/065/66/081/082
02.040	1308 302 029	Oil Ring	All
02.070	1319 302 009	Quill Tube	All
02.080	0636 015 545	HH Bolt M8X20	All except
	0636 015 645	HH Bolt M8X16	043/044/049/050/053/054/061/062/083/085//084/086

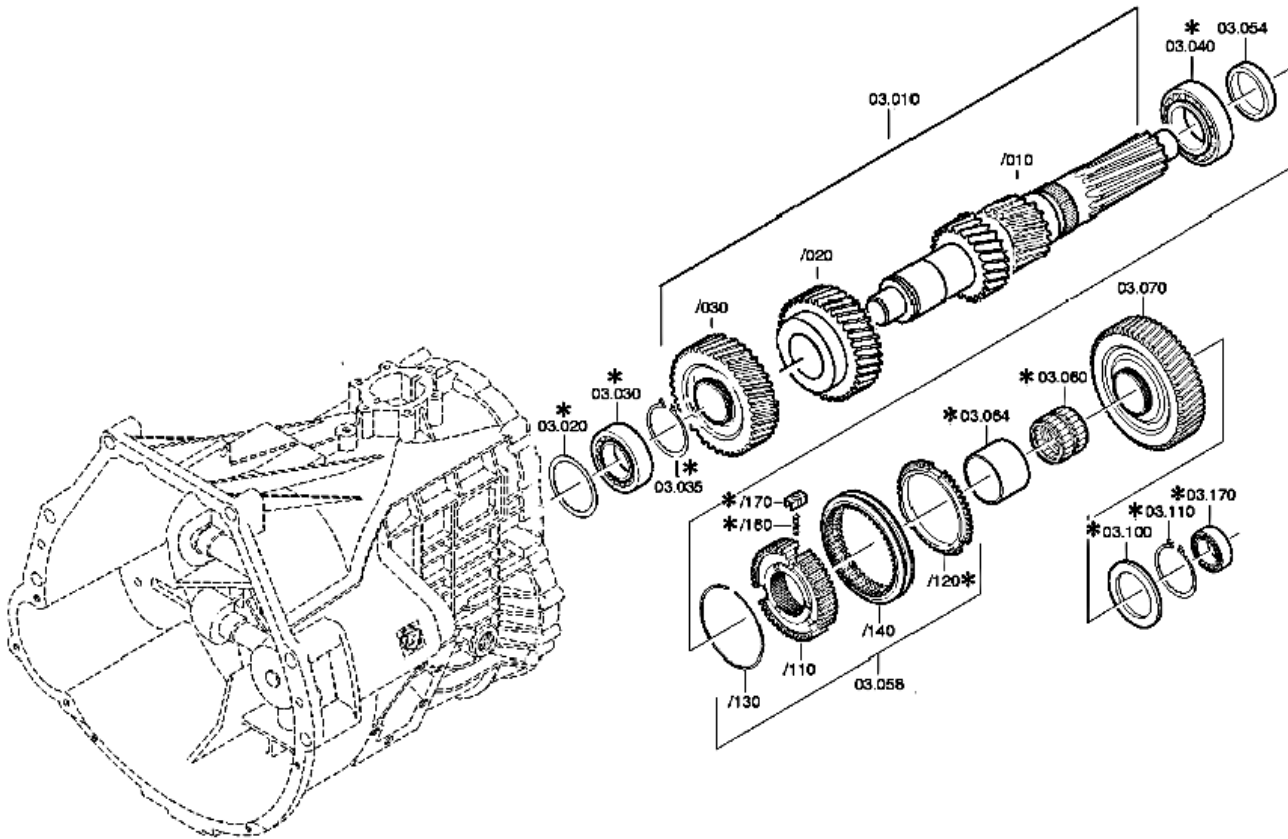


\*ONLY AVAILABLE IN KITS

# Remanufactured Transmissions, Spare Parts, and Kits Catalog

## S6-650 Spare Parts - Countershaft Group

Pos #		Description	Unit Specification (1319 050 )
03.010	1319 203 024 1319 203 036 1319 203 039	Countershaft Assembly Countershaft Assembly Countershaft Assembly	004/005/006/022/023/024/025/036/037/043/044/045/046 049/050/053/054/061/062/065/066/081/082 083/084/085/086
03.010/030	1319 303 059	Constant Gear	All except ** 083/085/084/086
03.010/020	1319 303 050	3rd Counter Gear	All
03.054	1319 303 046	Spacer	All
03.058	1319 203 029	5th Synchronizer Assembly	All
03.058/110	1319 303 070	Synchronizer Body	All
03.058/130	0501 320 542	Snap Ring	All
03.058/140	1319 304 126	3/4/5/R Sliding Sleeve	All
03.070	1319 303 052	5th Speed Gear	All



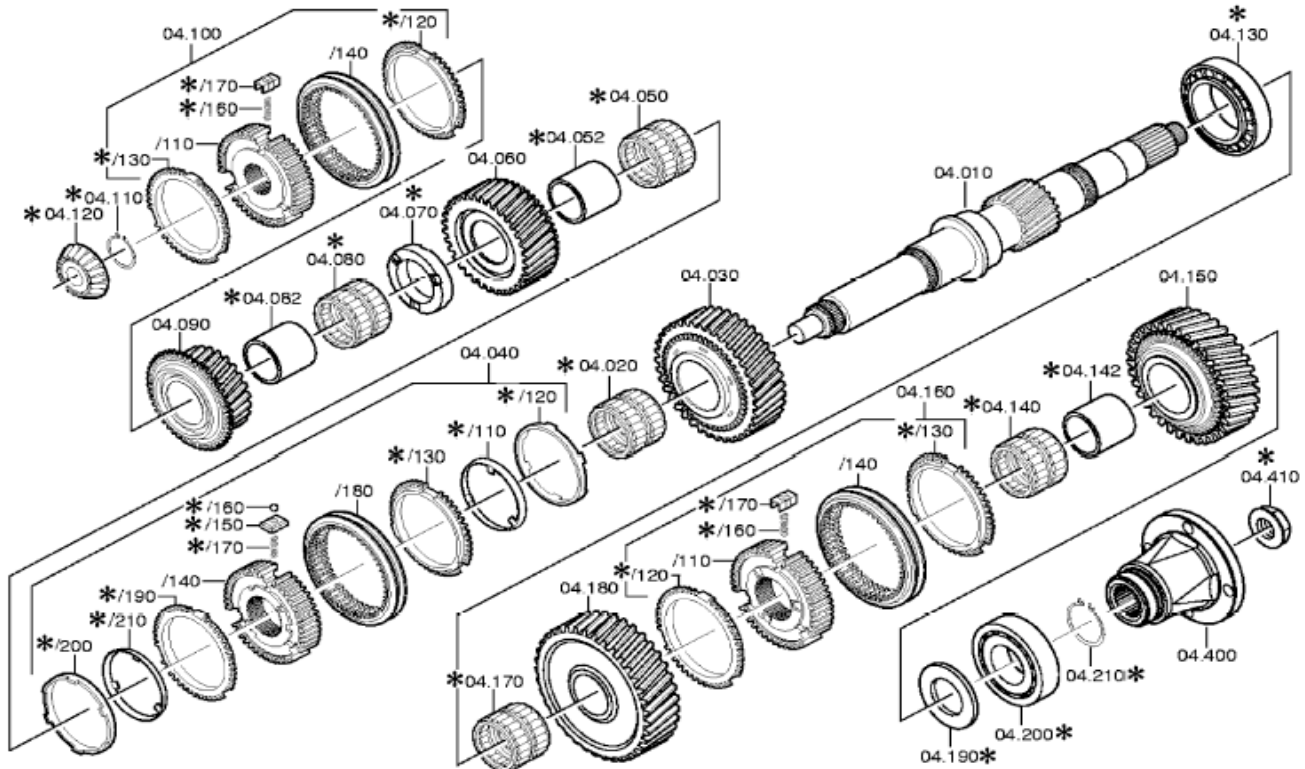
\*ONLY AVAILABLE IN KITS

\*\* Only available as a complete countershaft assembly

## Remanufactured Transmissions, Spare Parts, and Kits Catalog

### S6-650 Spare Parts - Main Shaft Group

Pos #		Description	Unit Specification (1319 050 __)
04.010	1319 304 070 1319 304 069 1319 304 094 1319 304 095 1319 304 113 1319 304 114	Main shaft 4x4 Main shaft 4x2 Main shaft 4x4 Main shaft 4x2 Main shaft 4x2 Main shaft 4x4	006/023 004/005/022 025/036/044/046 024/037/043/045 050/053/061/081/083/085 049/054/062/066/082/084/086
04.030	1319 304 077 1319 304 102	1st Speed Gear 1st Speed Gear	005/006/022/023/024/025/036/037/043/044/045/046 049/050/053/054/061/062/065/066/081/082/083/084/085/086
04.040	1319 204 045 1319 204 038 1319 204 050	1/2 Synchronizer Assembly 1/2 Synchronizer Assembly 1-2 Synchronizer Assembly	004/005/006/022/023 024/025/036/037/043/044/045/046/49/50 083/084/085/086
04.040/140	1319 304 118 1319 304 088 1319 304 103	Synchronizer Body Synchronizer Body 1-2 Synchronizer Body	004/005/006/022/023 024/025/036/037/043/044/045/046/49/50 083/084/085/086
04.040/180	1333 304 062	1/2 Sliding Sleeve	All
04.060	1319 204 013 1319 204 042	2nd Speed Gear 2nd Speed Gear	004/005/006/022/023/024/025/036/037/043/044/045/046 049/050/053/054/061/062/065/066/081/082/083/084/085/086
04.090	1319 204 011	3rd Speed Gear	All
04.100	1319 204 039	3/4 Synchronizer Assembly	All
04.100/110	1319 304 125	Synchronizer Body	All
04.100/140	1317 304 126	3/4/5/R Sliding Sleeve	All
04.150	1319 204 026	Reverse Speed Gear	All
04.160	1319 204 040	Creeper/Rev Synchronizer Assembly	All
04.160/110	1319 304 019	Creeper/Rev Synchronizer Body	All
04.160/140	1317 304 125	Creeper/Rev Sliding Sleeve	All
04.180	1319 204 056	Creeper Speed Gear	All
04.400	0501 213 286	Circular Flange	All

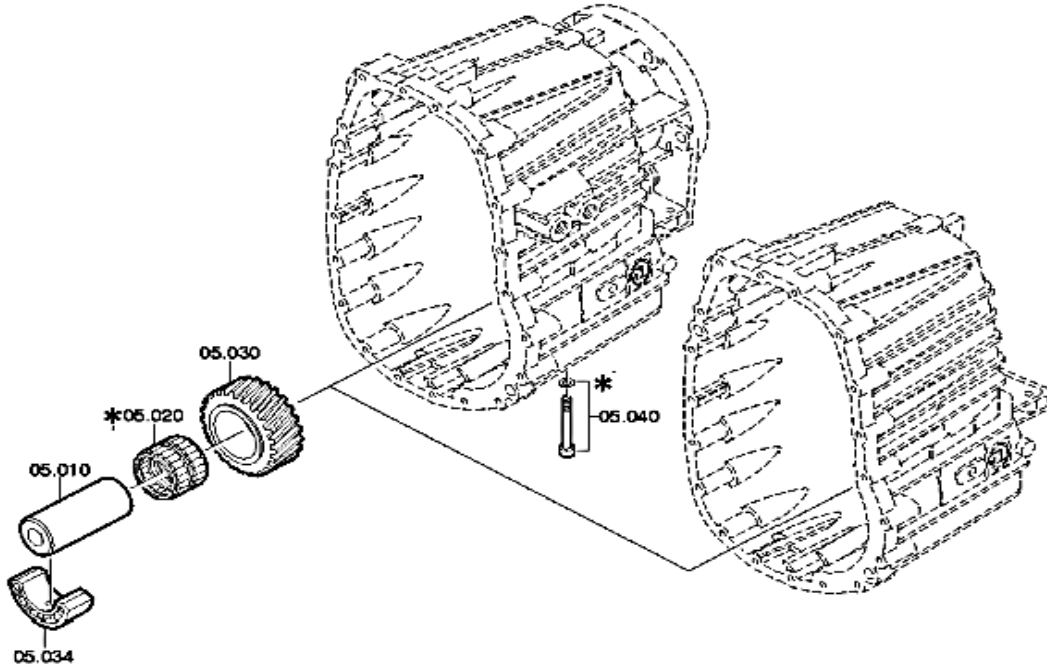


\*ONLY AVAILABLE IN KITS

## Remanufactured Transmissions, Spare Parts, and Kits Catalog

### S6-650 Spare Parts - Reverse Idler Group

Pos #		Description	Unit Specification (1319 050 )
05.010	1319 305 007	Rev Idler Shaft	All
05.030	1319 305 005	Idler Gear	All
	1319 305 013	Idler Gear	049/050/053/054/061/062/083/085/084/086
05.034	1319 305 006	Support	All/083/085/084/086
05.040	0636 115 171	SH Bolt M8X60	All

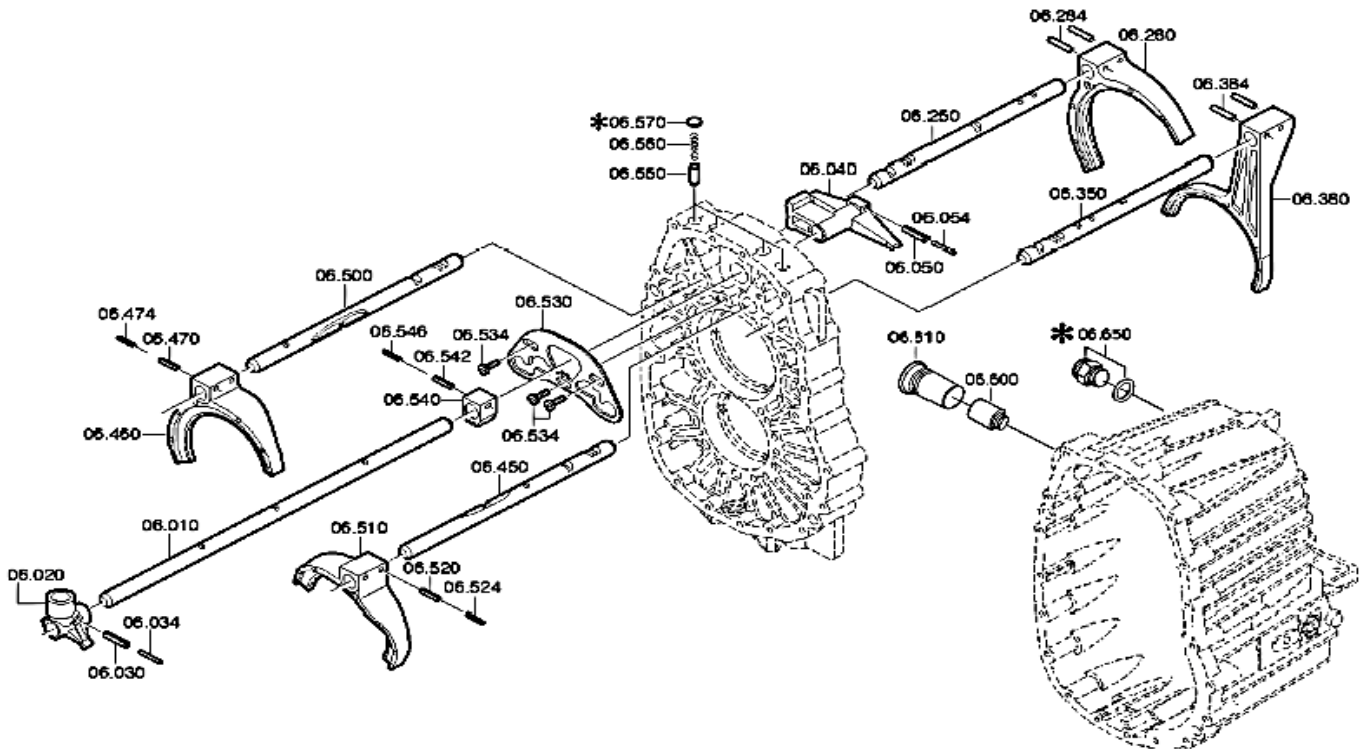


\*ONLY AVAILABLE IN KITS

## Remanufactured Transmissions, Spare Parts, and Kits Catalog

### S6-650 Spare Parts - Gear Shift System Group

Pos #		Description	Unit Specification (1319 050 )
06.010	1319 306 057	Main Shift Rail	All
06.020	1319 306 022 1319 306 090	Shift Finger Front Shift Finger Front	All except 043/044/053/054/061/062/082/083/084/085/086
06.030	0631 329 069	Slot Pin 6x30	All
06.034	0631 329 028	Slot Pin 3.5x30	All
06.040	1319 306 034	Shift Finger Rear	All
06.050	0631 329 069	Slot Pin 6x30	All
06.054	0631 329 028	Slot Pin 3.5x30	All
06.250	1319 306 044	Creeper/Rev Shift Rail	All
06.280	1319 306 045	Creeper/Rev Shift Fork	All
06.284	0631 329 069	Slot Pin 6x30	All
06.350	1319 306 046	5th Gear Shift Rail	All
06.380	1319 306 047	5th Gear Shift Fork	All
06.384	0631 329 069	Slot Pin 6x30	All
06.450	1319 306 050	1/2 Shift Rail	All
06.460	1307 306 019	1/2/3/4 Shift Fork	All
06.470	0631 329 069	Slot Pin 6x30	All
06.474	0631 329 028	Slot Pin 3.5x30	All
06.500	1319 306 051	Shift Rail 3/4	All
06.510	1307 306 019	1/2/3/4 Shift Fork	All
06.520	0631 329 069	Slot Pin 6x30	All
06.524	0631 329 028	Slot Pin 3.5x30	All
06.530	1319 306 048	Interlocking Plate	All
06.534	1319 306 060	Collar Screw	All
06.540	1319 306 058	Shift Driver	All
06.542	0631 329 050	Slot Pin 5x24	All
06.546	0631 329 017	Roll Pin 3x24	All
06.550	1307 306 170	Detent Pin	All
06.560	0732 041 946	Detent Spring	All
06.600	0501 206 040	Gear Shift Detent	All
06.610	1319 306 080	Main Detent Guide Bushing	All
06.650**	0501 209 492	Switch	All



\*ONLY AVAILABLE IN KITS

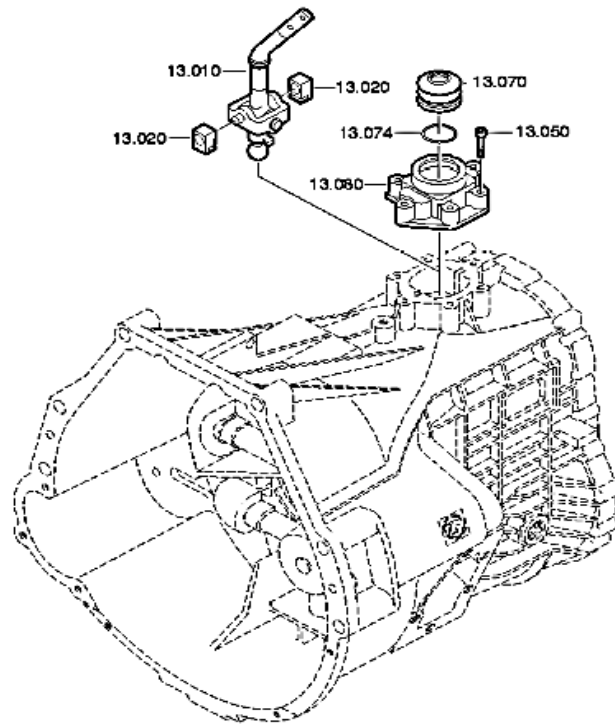
\*\*Sealing ring not included requires 0634 801 260 sold separately



## Remanufactured Transmissions, Spare Parts, and Kits Catalog

### S6-650 Spare Parts - Gear Shift Lever Group

Pos #		Description	Unit Specification (1319 050 )
13.010	1319 218 004 1319 218 016	Gear Shift Lever	All except 083/084/085/086
13.020	1307 306 154	Guide Piece	All
13.050	0636 115 169	Cap Screw 8x35	All
13.070	1319 306 061 0501 321 882	Inner Trans Boot	All except 083/084/085/086
13.074	0730 505 093	Snap Ring	All
13.080	1319 306 043	Gear Shift Housing	All



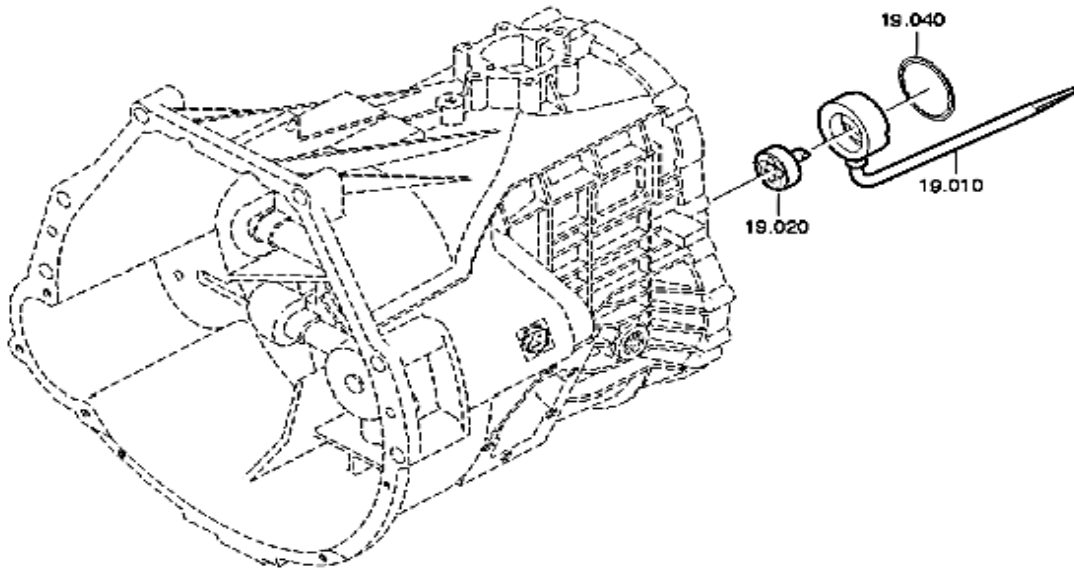
\*ONLY AVAILABLE IN KITS



# Remanufactured Transmissions, Spare Parts, and Kits Catalog

## S6-650 Spare Parts - Pump Group

Pos #		Description	Unit Specification (1319 050 )
19.010	1319 220 008	Pump Housing	All
19.020	0501 211 188	Pump Shaft	All
19.040	0630 532 128	Snap Ring	All



\*ONLY AVAILABLE IN KITS

**Remanufactured Transmissions, Spare Parts, and Kits Catalog**

**S6-650 Spare Parts - Kits**

S6-650 Spare Parts - Kits

**1319Major**

Pos #	ZF Part #	Description	Qty.
01.020	0735 298 199	Ball Sleeve	1
01.024	0734 319 600	Input Shaft Seal	1
01.030	1290 301 140	Gasket	1
01.140	0735 298 199	Ball Sleeve	1
01.210	0735 298 199	Ball Sleeve	1
01.230	0734 319 677	Output Shaft Seal 4x2	1
01.230	0734 319 598	Output Shaft Seal 4x4	1
02.020	0501 316 778	Oil Dam	1
02.030	1319 202 013	Input Bearing	1
02.040	1308 302 029	Nilos Ring	1
03.030	1319 203 021	Roller Bearing	1
03.040	1319 203 020	Interm. Countershaft Bearing	1
03.060	0735 321 453	Needle Cage	1
03.064	0730 162 731	Bushing	1
03.100	1319 303 045	Thrust Washer	1
03.170	0735 450 077	Rear Countershaft Bearing	1
04.020	0735 321 480	Needle Cage	1
04.050	0735 321 480	Needle Cage	1
04.052	0730 162 812	Bushing 2/3	1
04.070	0730 162 813	Thrust Washer	1
04.080	0735 321 480	Needle Cage	1
04.082	0730 162 812	Bushing 2/3	1
04.120	0750 117 251	Pocket Bearing	1
04.130	1319 204 021	Roller Bearing	1
04.140	0735 321 404	Needle Cage, Creeper/Rev	2
04.142	0730 162 730	Reverse Bushing	1
04.170	0735 321 404	Needle Cage, Creeper/Rev	2
04.190	0730 109 432	Thrust Washer 5.0mm	1
04.200	0735 330 284	Output Bearing	1
04.410	1317 304 117	Locking Nut	1
05.020	0735 321 455	Needle Bearing Bushing	2
05.040	0630 050 016	Usit Ring	1
06.570	0630 361 116	Plug Sealing	4
06.650	0634 801 260	Sealing Ring	1

**1319RBK**

Pos #	ZF Part #	Description	Qty.
01.024	0734 319 600	Input Shaft Seal	1
01.030	1290 301 140	Gasket	1
01.230	0734 319 677	Output Shaft Seal 4x2	1
01.230	0734 319 598	Output Shaft Seal 4x4	1
02.020	0501 316 778	Oil Dam	1
04.410	1317 304 117	Locking Nut	1
05.040	0630 050 016	Usit Ring	1
06.570	0630 361 116	Plug Sealing	4
06.650	0634 801 260	Sealing Ring	1

**1319Minor**

Pos #	ZF Part #	Description	Qty.
01.024	0734 319 600	Input Shaft Seal	1
01.030	1290 301 140	Gasket	1
01.230	0734 319 677	Output Shaft Seal 4x2	1
01.230	0734 319 598	Output Shaft Seal 4x4	1
02.020	0501 316 778	Oil Dam	1
02.030	1319 202 013	Input Bearing	1
02.040	1308 302 029	Nilos Ring	1
03.030	1319 203 021	Roller Bearing	1
03.040	1319 203 020	Interm. Countershaft Bearing	1
03.170	0735 450 077	Rear Countershaft Bearing	1
04.120	0750 117 251	Pocket Bearing	1
04.130	1319 204 021	Roller Bearing	1
04.200	0735 330 284	Output Bearing	1
04.410	1317 304 117	Locking Nut	1
05.040	0630 050 016	Usit Ring	1
06.570	0630 361 116	Plug Sealing	4
06.650	0634 801 260	Sealing Ring	1

**1319SK**

Pos #	ZF Part #	Description	Qty.
03.058/120	1317 304 150	3/4/5 Synchronizer Ring	1
04.040/110	1319 304 032	1/2 Internal Ring	1
04.040/120	1319 304 075	1/2 Intermediate Ring	1
04.040/130	1319 304 053	1/2 Outer Ring	1
04.040/190	1319 304 053	1/2 Outer Ring	1
04.040/200	1319 304 075	1/2 Intermediate Ring	1
04.040/210	1319 304 032	1/2 Internal Ring	1
04.100/120	1317 304 150	3/4/5 Synchronizer Ring	1
04.100/130	1317 304 150	3/4/5 Synchronizer Ring	1
04.160/120	1317 304 149	Creeper/Rev Synchronizer Ring	1
04.160/130	1317 304 149	Creeper/Rev Synchronizer Ring	1

\* FOR TRANSMISSION NUMBERS 1319 050 049, 1319 050 050, 1319 050 053, 1319 050 054, 1319 050 061, and 1319 050 062  
USE THE 6S-750 KITS.

**Remanufactured Transmissions, Spare Parts, and Kits Catalog**

**S6-650 Spare Parts - Kits**

**S6-650 Spare Parts - Kits (Continued)**

**1319SRK**

Pos #	ZF Part #	Description	Qty.
03.035	0630 501 039	Snap Ring 2.00mm	1
03.110	0730 501 193	Snap Ring 2.10mm	1
03.110	0630 501 267	Snap Ring 1.80mm	1
03.110	0630 501 266	Snap Ring 1.90mm	1
03.110	0630 501 039	Snap Ring 2.00mm	1
04.110	0630 531 049	Snap Ring 2.00mm	1
04.110	0630 501 387	Snap Ring 2.05mm	1
04.110	0630 501 135	Snap Ring 2.10mm	1
04.110	0630 501 139	Snap Ring 2.15mm	1
04.110	0630 531 316	Snap Ring 2.20mm	1
04.110	0630 501 386	Snap Ring 2.25mm	1
04.110	0630 531 315	Snap Ring 2.30mm	1
04.110	0630 501 288	Snap Ring 2.35mm	1
04.110	0630 531 314	Snap Ring 2.40mm	1
04.110	0630 501 287	Snap Ring 2.45mm	1
04.110	0630 531 050	Snap Ring 2.50mm	1
04.210	0630 531 058	Snap Ring 3.00mm	1
04.210	0730 501 495	Snap Ring 3.10mm	1
04.210	0730 501 496	Snap Ring 3.20mm	1
04.210	0730 501 497	Snap Ring 3.30mm	1
04.210	0730 501 498	Snap Ring 3.40mm	1
04.210	0730 501 499	Snap Ring 3.50mm	1

**1319PPK**

Pos #	ZF Part #	Description	Qty.
03.058/160	0732 042 510	Compression Spring	3
03.058/170	1317 304 159	Pressure Piece	3
04.040/150	1319 304 093	Pressure Piece	3
04.040/160	0635 460 010	Ball 6mm	3
04.040/170	0732 042 701	Compression Spring	3
04.100/160	0732 042 510	Compression Spring	3
04.100/170	1317 304 159	Pressure Piece	3
04.160/160	0732 042 510	Compression Spring	3
04.160/170	1317 304 159	Pressure Piece	3

**1319SMK**

Pos #	ZF Part #	Description	Qty.
02.050	0730 005 480	Shim 1.20mm	1
02.050	0730 005 481	Shim 1.25mm	1
02.050	0730 005 482	Shim 1.30mm	1
02.050	0731 005 483	Shim 1.35mm	1
02.050	0730 005 484	Shim 1.40mm	1
02.050	0730 005 485	Shim 1.45mm	1
02.050	0730 005 486	Shim 1.50mm	1
02.050	0730 005 487	Shim 1.55mm	1
02.050	0730 005 488	Shim 1.60mm	1
02.050	0730 005 489	Shim 1.65mm	1
02.050	0730 005 490	Shim 1.70mm	1
02.050	0730 005 491	Shim 1.75mm	1
02.050	0730 005 492	Shim 1.80mm	1
02.050	0730 005 493	Shim 1.85mm	1
02.050	0730 005 494	Shim 1.90mm	1
02.050	0730 005 495	Shim 1.95mm	1
02.050	0730 005 496	Shim 2.00mm	1
02.050	0730 005 497	Shim 2.05mm	1
02.050	0730 005 498	Shim 2.10mm	1
02.050	0730 005 499	Shim 2.15mm	1
02.050	0730 005 500	Shim 2.20mm	1
02.050	0730 005 501	Shim 2.25mm	1
02.050	0730 005 502	Shim 2.30mm	1
03.020	0730 005 506	Shim 1.10mm	1
03.020	0730 005 507	Shim 1.15mm	1
03.020	0730 005 508	Shim 1.20mm	1
03.020	0730 005 509	Shim 1.25mm	1
03.020	0730 005 510	Shim 1.30mm	1
03.020	0730 005 511	Shim 1.35mm	1
03.020	0730 005 512	Shim 1.40mm	1
03.020	0730 005 513	Shim 1.45mm	1
03.020	0730 005 514	Shim 1.50mm	1
03.020	0730 005 515	Shim 1.55mm	1
03.020	0730 005 516	Shim 1.60mm	1
03.020	0730 005 517	Shim 1.65mm	1
03.020	0730 005 518	Shim 1.70mm	1
03.020	0730 005 519	Shim 1.75mm	1
03.020	0730 005 520	Shim 1.80mm	1
03.020	0730 005 521	Shim 1.85mm	1
03.020	0730 005 522	Shim 1.90mm	1

**S6-650 Spare Parts - Bulk Parts**

ZF Part #	Description	Unit	Qty.
0501 212 997Bulk	Pressure Relief Valve	All	50
0630 532 207Bulk	Retaining Ring	All	50
1317 304 149Bulk	Creeper/Rev Synchronizer Ring	All	31
1317 304 150Bulk	3/4/5 Synchronizer Ring BULK	All	31
1319 304 032Bulk	1/2 Internal Ring	All	20
1319 304 053Bulk	1/2 Outer Ring	All	20
1319 304 075Bulk	1/2 Intermediate Ring	All	20