

Spicer® Drive Axles

SPICER®



Illustrated Parts List

Spicer® Drive Axles

Models S135-S & S150-S

AXIP-8941

September 2013

(Supersedes) March 1998

TABLE OF CONTENTS

Model Identification Numbering System	1
Axle Identification	2
Components	3
Parts List	4
Bearing Preload Spacers	5
End Yoke Assemblies	5
Housings	5
Kits	5-6
Spacer Kit	
Differential Case with Bolts	
Ring Gear and Pinion	
Bearing Preload Spacer	
Bearing and Seal	
Bearing and Cup	
Service Carriers	7
Note – Carriers Designed w/ 127591 Seal	8

SPICER[®]

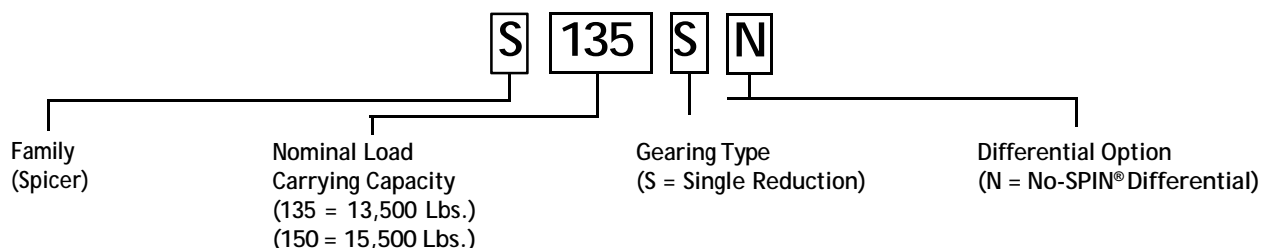


GENUINE SPICER SERVICE PARTS

Should an axle assembly require replacement component parts, it is recommended that Spicer Heavy Axle Service Parts be used. Spicer Heavy Axle Service Parts are manufactured under the same rigid specification as are original equipment axle components. This assures the customer who uses genuine Spicer service parts, maximum reliability for a Spicer Heavy Axle assembly. They may be obtained through your vehicle manufacturer. The use of non-original Spicer service parts may cause premature component failure and may void the warranty.

The items included in this book are currently being offered as service parts at the time of printing. The part numbers and illustrations are provided specifically for reference purposes only. Therefore, Spicer reserves the right to update this manual without notice or liability.

MODEL IDENTIFICATION NUMBERING SYSTEM

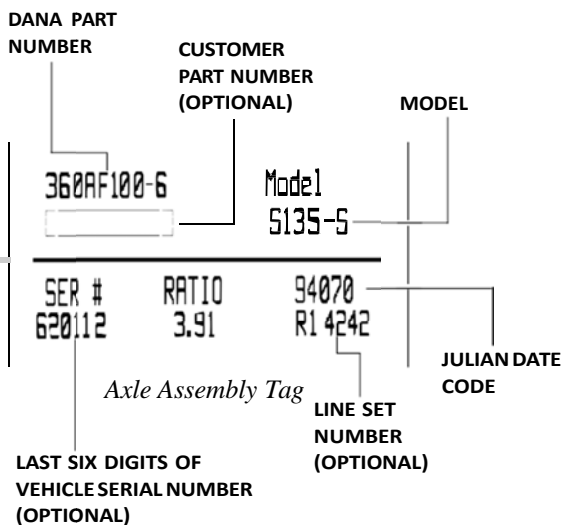
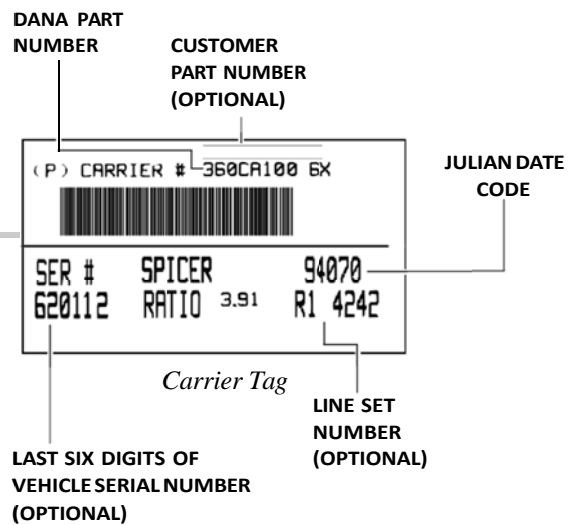
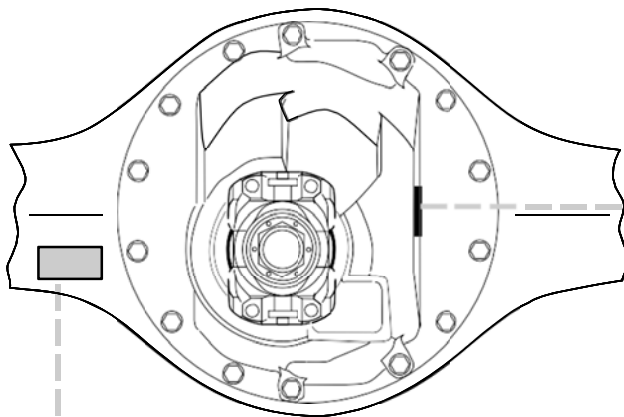
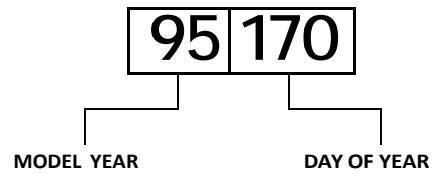


AXLE IDENTIFICATION

All axle assemblies are identified with two tags. One located on the differential carrier, and the other located on the right hand side of the axle housing.

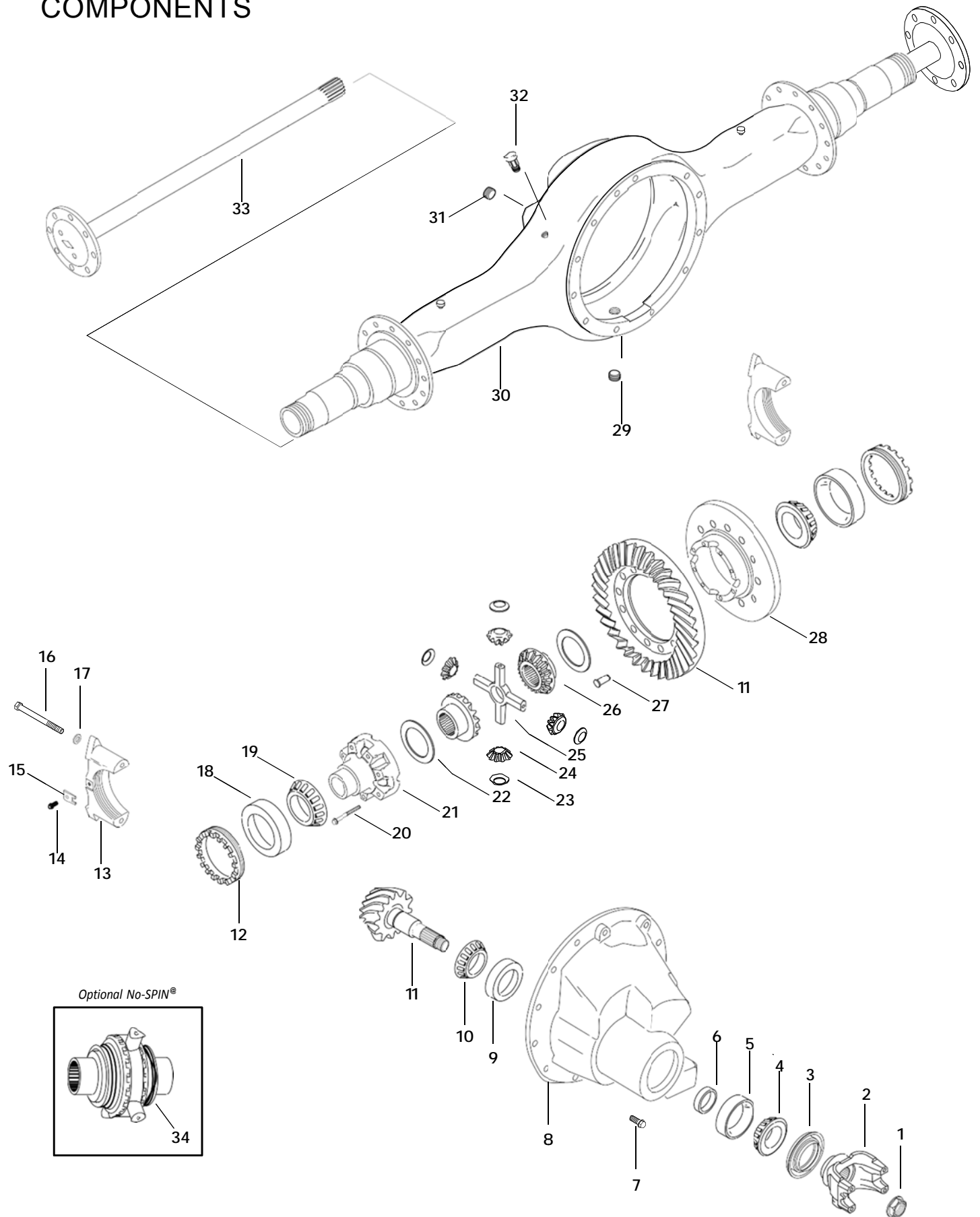
The **differential carrier tag** contains the following: Dana part number, Julian date code, and ratio. Optional items include customer part number; line set number, and the last six digits of the vehicle serial number.

JULIAN DATE CODE

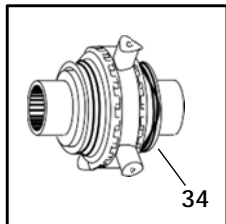


The **axle assembly tag** contains the following items: Dana part number, Julian date code, axle model, and ratio. Optional items include customer part number; line set number, and the last six digits of the vehicle serial number.

COMPONENTS



Optional No-SPIN®



PARTS LIST

Item	Part Name	Qty.	SI35-S	SI50-S
1	Flanged Hex Nut	1	HN130	HN130
2	End Yoke Assembly	1	See Page 5 for correct part numbers	
3+	Pinion Oil Seal Note Page 8	1	029HH100	029HH100
4+	Outer Pinion Bearing Cone	1	HB104	HB104
5+	Outer Pinion Bearing Cup	1	012495	012495
6	Bearing Preload Spacer	1	See Page 5 for correct part numbers	
7	Carrier Mounting Bolt – Kit		504071	504071
	Grade 8, ½" 13 UNC x 1-3/8"	10	HM101	HM101
	Grade 8, ½" 13 UNC x 2-1/4"	4	HM102	HM102
8	Carrier Sub-Assembly (Includes Items 5, 9, 13, 16, 17) See Note Page 8	1	360CS100-X	360CS100-X
9+	Inner Pinion Bearing Cup **	1	360HA100	360HA100
10+	Inner Pinion Bearing Cone **	1	360HB100	360HB100
11+	Ring Gear & Pinion Set	1	See Page 6 for correct part numbers	
12	Adjusting Ring	2	360HR101	360HR101
13	Differential Bearing Cap	2	Not Serviced Separately - See item 8	
14	Hex Bolt	2	HM201	HM201
15	Adjusting Ring Lock	2	360HR102	360HR102
16+	Differential Bearing Cap Bolt	4	070HM142-3	070HM142-3
17+	Differential Bearing Cap Washer	4	075187	075187
18+	Differential Bearing Cup	2	HA102	HA102
19+	Differential Bearing Cone	2	HB105	HB105
20+	Differential Case Bolt	8	HM179	HM179
21+	Differential Case Cap Half	1	360DT101	360DT101
22+	Differential Gear Thrust Washer	2	018346	018346
23+	Differential Pinion Thrust Washer	4	HS109	HS109
24+	Differential Pinion Mate	4	472GC102	472GC102
25+	Differential Cross Shaft	1	360DP100	360DP100
26+	Differential Gear	2	029GD104	029GD104
27	Ring Gear Rivet	12	HM204	HM204
27A	Kit – Ring Gear Bolt and Nut	1	360KY100-X	360KY100-X
28+	Differential Case Flange Half	Kit #		
	2.8 thru 3.2 Ratio	360KQ100-X	360DU101	360DU101
	3.38 thru 3.73 Ratio	360KQ101-X	360DU103	360DU103
	3.9 thru 4.44 Ratio	360KQ102-X	360DU105	360DU105
	4.78 thru 5.38 Ratio	360KQ103-X	360DU110	360DU110
	6. 4 thru 7. 7 Ratio	360KQ104-X	360DU109	360DU109
29	Magnetic Drain Plug	1	054254	054254
30	Housing	1	See Page 5 for correct part numbers	
31	Filler Plug	1	090325	090325
32	Vent Plug	1	809560	809560
33	Axle Shaft (36 Splines)			
	38.62" Length (8 Holes Straight)	2	360SR104-1	360SR104-1
	40.00" Length (8 Holes Tapered)	2	360SR109	360SR109
	40.435" Length (8 Holes Straight)	2	360SR108	360SR108
	43.952" Length (8 Holes Straight)	2	360SR112-1	360SR112-1
	39.917" Length (8 Holes Straight)	2	360SR112-2	360SR112-2
	39.12" Length (8 Holes Tapered)	2	360SR104-1	360SR104-1
34	No-SPIN® Differential (Optional)	1	360GN100	360GN100
35	Tone Ring (Not Illustrated)	1	360WX110	360WX110

*Item included in Bearing Kit part Number 360KS100-X

** Sold in Kit 360KS102-X



BEARING PRELOAD SPACERS

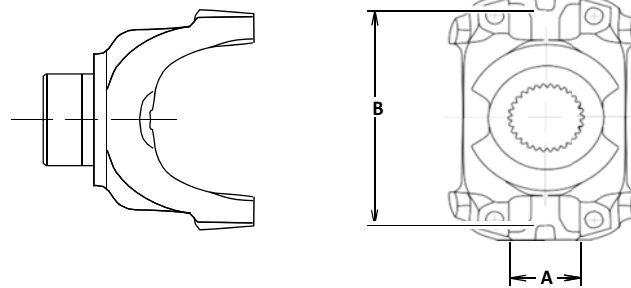
Thickness			Thickness		
Inches	MM	Spicer Part Number	Inches	MM	Spicer Part Number
.296	7.52	360HS100-11	.307	7.80	360HS100-22
.297	7.54	360HS100-12	.308	7.82	360HS100-23
.298	7.57	360HS100-13	.309	7.85	360HS100-24
.299	7.59	360HS100-14	.310	7.87	360HS100-25
.300	7.62	360HS100-15			
.301	7.65	360HS100-16			
.302	7.67	360HS100-17			
.303	7.70	360HS100-18			
.304	7.72	360HS100-19			
.305	7.75	360HS100-20			
.306	7.77	360HS100-21			

Kit Item

SPACER KIT

Range	Spicer Part Number
.300 through .306	360KV100-X

END YOKES ASSEMBLIES



Series	A	B	Spline	Spicer Part Number
1410	1.19"	4.19"	1.790" - 34	3-4-1287-1X
1480	1.38"	4.19"	1.790" - 34	3-4-12101-1X
1550	1.38"	4.97"	1.790" - 34	4-4-6961-1X
SPL90 (1590)	1.62"	4.95"	1.790" - 34	90-4-551-1X
1610	1.88"	5.31"	1.790" - 34	5-4-8571-1X

HOUSINGS

Suspension	OEM	S13....	S135/S150-S
Spring	ALL	-----	360CH100 NLA Note 1
Air	Navistar	-----	360CH101 NLA
Air (Low Profile)	Navistar	-----	360CH102 NLA Note 1
Spring	GM	-----	360CH112 NLA
Spring	Freightliner	-----	360CH117 NLA
-----	Ford	-----	360CH176 Active
-----	-----	-----	360CH157 Call for Stock
-----	-----	-----	360CH158 Call for Stock
-----	-----	-----	360CH165 Active
-----	-----	-----	360CH178 Call for Stock
-----	-----	-----	360CH500 Note 2
-----	-----	-----	360CH501 Note 2
-----	-----	-----	360CH502 Note 2
-----	-----	-----	360CH179 Call for Stock

Note 1 – Replaced by 360CH501 – refer to bulletin HAXL-PNI-10

Note 2 – Service Bare Housings – refer to bulletin HAXL-PNI-10

DIFFERENTIAL CASE WITH BOLTS

Ratio	SI35-S	SI50-S	Items Included
2.81 thru 3.21	360KQ100-X	360KQ100-X	20, 21, 28
3.38 thru 3.73	360KQ101-X	360KQ101-X	
3.91 thru 4.44	360KQ102-X	360KQ102-X	
4.78 thru 5.38	360KQ103-X *	360KQ103-X *	
6.14 thru 7.17	360KQ104-X	360KQ104-X	

* Diff Case 360DU110 – which replaced old case # 360DU107 is machined for ABS tone rings & used in these kits.

RING GEAR AND PINION

Ratio	SI35-S	SI50-S	Items Included
2.81 **	360KG114-X	360KG114-X	1,11
2.93 **	360KG115-X	360KG115-X	
3.07	360KG100-X	360KG100-X	
3.21	360KG101-X	360KG101-X	
3.38	360KG102-X	360KG102-X	
3.54	360KG103-X	360KG103-X	
3.73	360KG104-X	360KG104-X	
3.91	360KG105-X	360KG105-X	
4.10	360KG106-X	360KG106-X	
4.44	360KG107-X	360KG107-X	
4.78	360KG118-X	360KG118-X	
4.88	360KG117-X	360KG117-X	
5.13	360KG119-X	360KG119-X	
5.38	360KG120-X	360KG120-X	
6.14	360KG110-X	360KG110-X	
6.43	360KG111-X	360KG111-X	
7.17	360KG112-X	360KG112-X	

** Kits now NLA

BEARING AND SEAL

Description	SI35-S	SI50-S	Items Included
Complete Set	360KS100-X	360KS100-X	3, 4, 5, 9, 10, 18, 19

See Note Page 8 360KS104-X after October 2000 for Navistar S150PB

BEARING AND CUP

Description	SI35-S	SI50-S	Items Included
Inner Pinion Kit	360KS102-X	360KS102-X	9, 10

SERVICE CARRIERS

S135S / S150S - Standard Carrier			
14.25" Hypoid Gearing			
Side Gear # 029GD104			
	Side Gear	New	Carrier
Ratio	Spline	Carrier	with ABS
3.38	36 Inv	360CA104-3X	
3.54	36 Inv	360CA104-4X	
3.73	36 Inv	360CA104-5X	
3.91	36 Inv	360CA104-6X	
4.10	36 Inv	360CA104-7X	
4.44	36 Inv	360CA104-8X	
4.78	36 Inv	360CA104-9X	360CA102-5X
4.88	36 Inv	360CA104-17X	360CA102-1X
5.13	36 Inv	360CA104-16X	360CA102-2X
5.38	36 Inv	360CA104-10X	360CA102-3X
6.14	36 Inv	360CA104-11X	
6.43	36 Inv	360CA104-12X	
7.17	36 Inv	360CA104-13X	

S135S / S150S - No Spin Carrier			
14.25" Hypoid Gearing			
No Spin Diff # 360GN100			
	Side Gear	New	
Ratio	Spline	Carrier	
3.54	36 Inv	360CA105-4X	
3.91	36 Inv	360CA105-6X	
4.10	36 Inv	360CA105-7X	
4.44	36 Inv	360CA105-8X	
4.78	36 Inv	360CA105-9X	
5.13	36 Inv	360CA105-16X	

S135S / S150S - No Spin Carrier			
14.25" Hypoid Gearing			
Limited Slip # 360DN107-X (4.78-5.38 ratios)			
Limited Slip # 360DN111-X (4.44 ratios)			
	Side Gear	New	Carrier
Ratio	Spline	Carrier	with ABS
4.44	36 Inv	360CA109-4X	
4.78	36 Inv	360CA109-1X	
4.88	36 Inv	360CA109-5X	360CA106-1X
5.13	36 Inv	360CA109-3X	
5.38	36 Inv	360CA109-2X	360CA106-2X

S135S PB / S150S PB - Standard Carrier w/ Parking Brake Option & No Spin Option - Carrier designed with 127591 Pinion Seal - Note 2 page 7			
14.25" Hypoid Gearing			
Side Gear # 029GD104			
No Spin Diff # 360GN100			
	Side Gear	Parking Brake	Parking Brake w/
Ratio	Spline	Carrier	No Spin Carrier
3.38	36 Inv	360CA107-3X	360CA108-3X
3.54	36 Inv	360CA107-4X	
3.73	36 Inv	360CA107-5X	360CA108-5X
3.91	36 Inv	360CA107-6X	
4.10	36 Inv	360CA107-7X	360CA108-7X
4.44	36 Inv	360CA107-8X	360CA108-8X
4.78	36 Inv	360CA107-9X	360CA108-9X
5.13	36 Inv	360CA107-16X	360CA108-16X
5.38	36 Inv	360CA107-10X	
6.14	36 Inv	360CA107-11X	



NOTE – CARRIERS DESIGNED W/ 127591 SEALS

In October 2000, Dana release S150PB carriers for Navistar that incorporated new design pinion seal and yokes. The parts listed below are those items unique to these designs. The carrier's designs can be recognized by the carrier part numbers. All 360CA107 and 360CA108 carriers are designed this way.

Bearing Kit w/127591 seal.....360KS104-X
Pinion Seal127591
Carrier Sub Assembly – Parking Brake Opt.....360CS102-X
Pinion Yokes.....contact Dana Driveshaft Division

360KS104-X BOM

<u>Part Number</u>	<u>Description</u>	<u>Quantity</u>
360HA100	Bearing Cup – Inner Pinion	1
HA102	Bearing Cup – Differential	2
HB105	Bearing Cone – 3984	2
360HB100	Bearing Cone – Inner Pinion	1
HB104	Bearing Cone – Outer Pinion	1
012495	Bearing Cup – Outer Pinion	1
127591	Pinion Seal	1



SPICER

Drivetrain Products

Axles
Driveshafts
Off-Highway Transmissions

LONG

Thermal Products

Transmission Oil Coolers
Engine Oil Coolers

VICTOR REINZ

Sealing Products

Gaskets and Seals
Cylinder-Head Cover Modules
Thermal-Acoustic Protective Shielding

