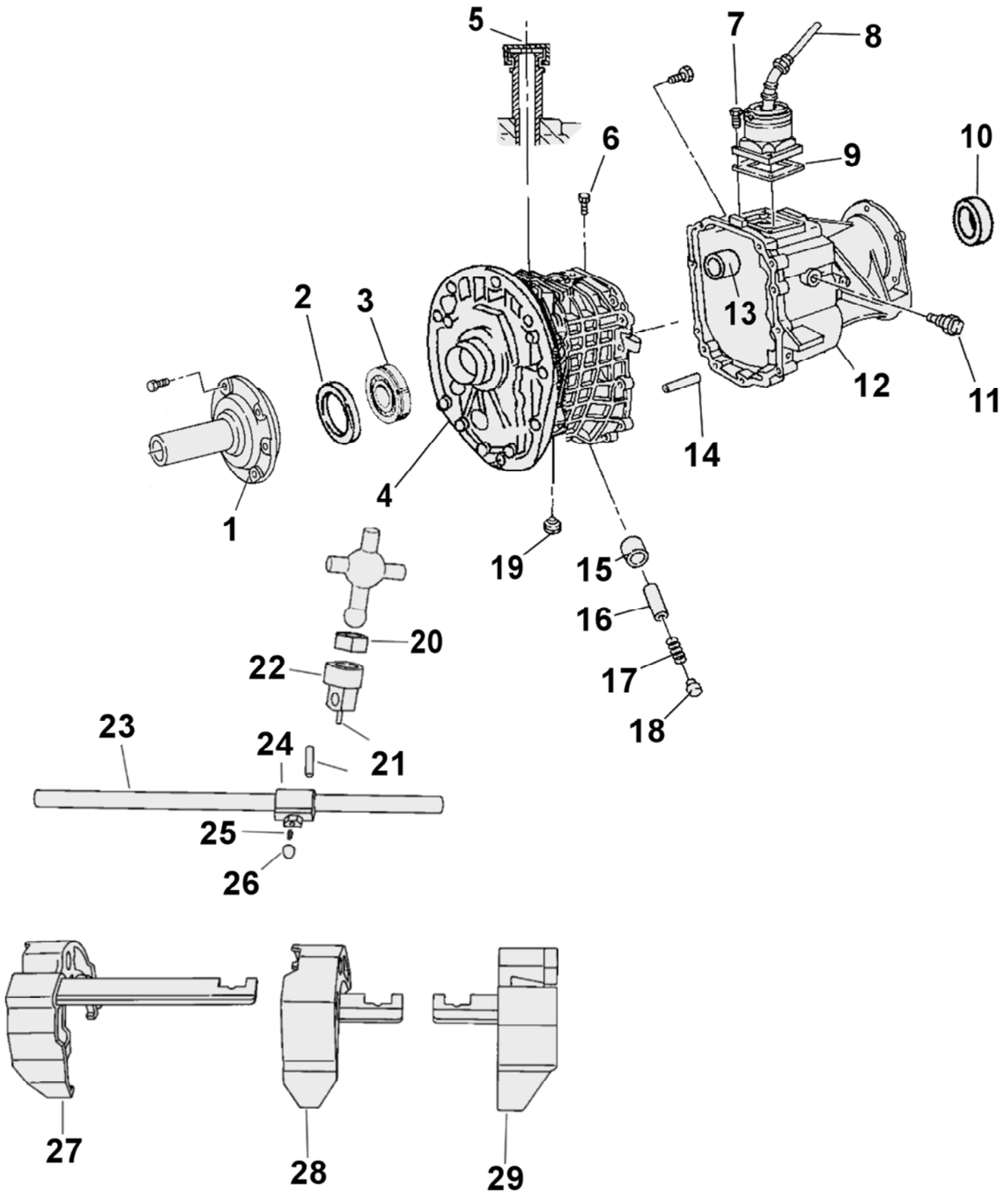
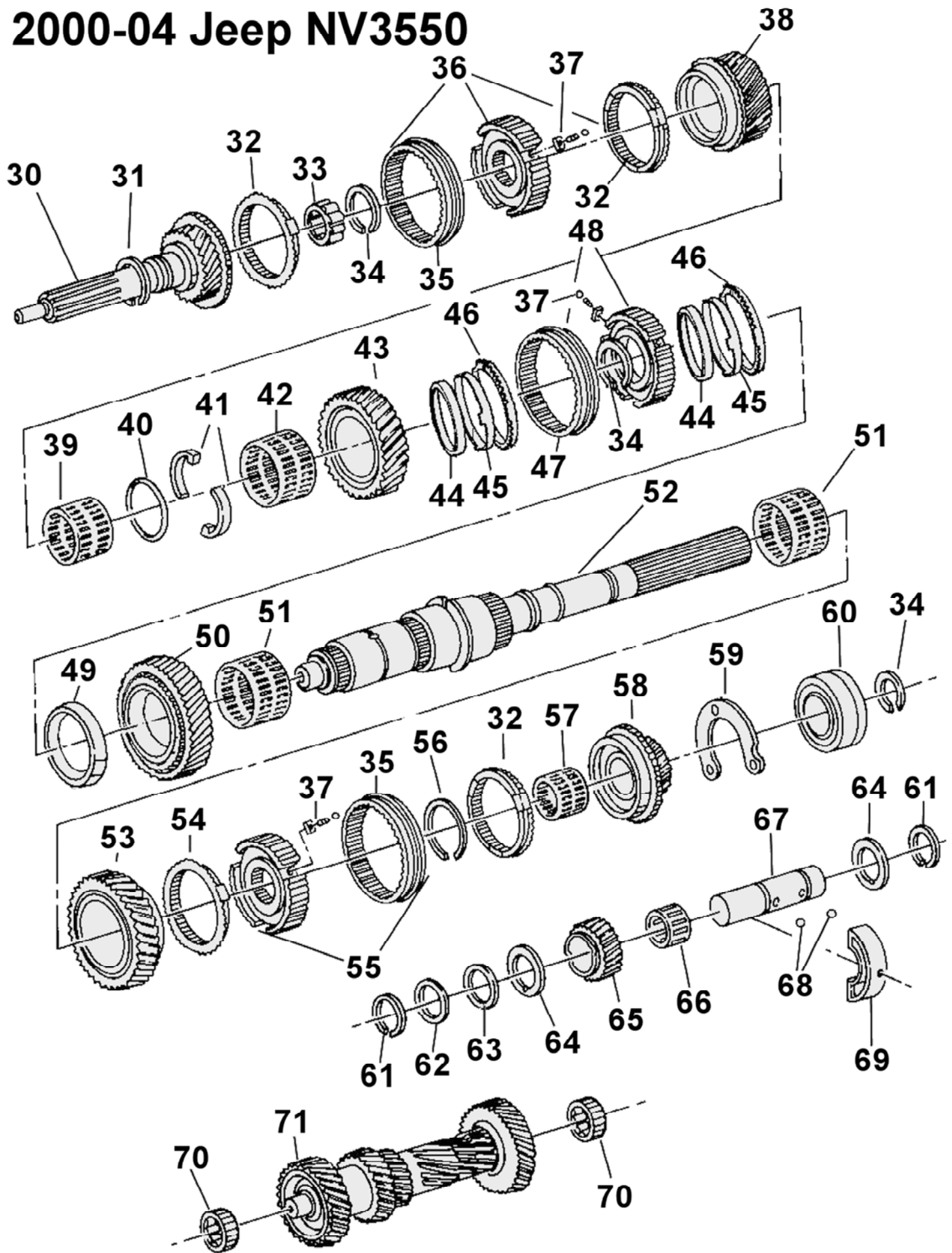


# 2000-04 Jeep NV3550



# 2000-04 Jeep NV3550



## Jeep NV3550 - 2000-01 Cherokee 4x2/4x4 - 2000-04 Wrangler 4x4 - 2002-04 Liberty 4x2/4x4

Item #	Description	Application	Notes	Jeep Part#	GM Part#	ZBAG Part#
1.	Input retainer			5013306AA 5066232AA		NV3500-6A
2.	Input Seal		2.058X1.378	4741296		CR10290
3.	Input bearing			4874174AB		573305D
4.	Front case half	2000-01 Cherokee 2000-01 Wrangler		5015577AA		Call
		2002-04 Wrangler 2002-04 Liberty		5066645AA 5096101AA 4740904		Call
		2003-04 Liberty 2003-04 Wrangler		5096102AA		Call
5.	Vent tube			5015945AA		17988
6.	Shift rail bolt			4740904	12540348	GM12540348
7.	Shifter stub bolt			4741144		GM11509417
8.	Shift tower	2000-01 Cherokee		5015952AA		Call
		2000-02 Wrangler		5015954AA		Call
		2003-04 Wrangler		5086544AA		Call
		2002 Liberty		5069038AA		Call
		2003-04 Liberty		5101817AA		Call
9.	Shifter assembly gasket			4886153AA		Call
10.	Rear seal	2000-01 Cherokee 4x2 2002-04 Liberty 4x2	2.505 x 1.687	4531216AB		CR16725
		2000-01 Cherokee 4x4 2000-04 Wrangler 4x4 2002-04 Liberty 4x4		4741118		CR14087
11.	Reverse light switch	2000-02 Wrangler		5013336AA		Call
		2000-01 Cherokee 2002-04 Liberty 2003-04 Wrangler		5166264AA		Call
12.	Tail housing	2000-01 Cherokee 4x2 2002-04 Liberty 4x2		5069035AC 5015946AA		Call
		2002-04 Liberty 4x4		5069042AC		Call
		2000-01 Cherokee 4x4		5083259AA 5015947AA		Call
		2000-04 Wrangler 4x4		5015948AA 5083260AB		Call
13.	Shift rail rear bushing			4741112		Call
14.	Dowel pin			4741122		Call
15.	Shift rail detent bushing			5012337AA 4741141 4773562 4798538		Call
16.	Shift rail detent plunger			5015949AA		Call
17.	Shift rail detent spring			5013341AA 4773182		Call
18.	Shift rail detent plug			4741128		Call
19.	Oil fill/drain plug		M24x1.5	4882280		Call
20.	Shift lever isolator			5012020AA		Call
21.	Roll pin		32mm long 22mm long		8672316 12477934	GM8672316 GM12477934
22.	Shifter socket			4874352		Call
23.	Main shift rail			5015951AB		Call
24.	Main shift rail selector		Must also replace the following Selector spring GM14082096 Selector plunger GM12545959	5072248AA		GM12475399
25.	Main shift rail selector spring			4741137	14082096	GM14082096
26.	Main shift rail selector plunger			5013348AA	12545959	GM12545959
27.	5-R Shift fork			4773563AB 5083104AA		20047
28.	1-2 Shift fork	2000-01 Cherokee 2000-01 Wrangler	With 1.3" counter shaft bearings	5013178AB		25416
		2002-04 Wrangler 2002-04 Liberty	With 1.18" counter shaft bearings	4886077AB		25420
29.	3-4 Shift fork			5066352AB 5015950AA		25418
30.	Input Shaft	2000-01 Cherokee 2000-01 Wrangler	35 tooth, 2 ID lines	5013302AB		NV3550-16A
		2002-04 Liberty 2002-04 Wrangler	26 tooth, 2 ID lines, NV3550-16	5019723AA 5066238AA		J5019723AA
31.	Input bearing snap ring		Bearing to shaft	4741266		Call
32.	3-4-5 Synchronizer Ring			4741277	8672050	290-14
33.	Input pocket bearing			4741878	23049686	308-338.KSE

**\*\*\* Call for availability on items that do not have a ZBAG part number listed \*\*\***

## Jeep NV3550 - 2000-01 Cherokee 4x2/4x4 - 2000-04 Wrangler 4x4 - 2002-04 Liberty 4x2/4x4

Item #	Description	Application	Notes	Jeep Part#	GM Part#	ZBAG Part#
34.	Snap Ring			4741266	8672928	GM08672928
35.	Synchronizer Sleeve					290-15
36.	3-4 Synchronizer assembly			4741293AB	8672223 88934829	18130
37.	Spring and key kit					WT290-K
38.	3rd Gear	2000-01 Cherokee 2000-01 Wrangler		5013195AB		Call
		2002-04 Liberty 2002-04 Wrangler	30 tooth, 30273, 22352	4883718AB 8672632 4741292	88934831 12549364	290-11A
39.	3rd Gear needle bearing			4741874	23049697	290-148
40.	2nd gear thrust washer retaining ring		20890	4897922AA	12547384 8672222	Call
41.	Mainshaft split ring	2000-01 Cherokee 2000-01 Wrangler	0.245" thick	5013192AA		Call
		2002-04 Liberty 2002-04 Wrangler	0.312" thick	4746070 4741289 5019721AA	12549349	Call
42.	2nd Gear needle bearing			5003039AA		Call
43.	2nd Gear	2000-01 Jeep Cherokee 2000-01 Jeep Wrangler	world class	5013194AB		Call
		2002-04 Jeep Liberty 2001-04 Jeep Wrangler	world class, 2001 Wrangler trans# 52104388AC only	4874358AB		Call
44.	1-2 Inner Synchronizer ring		World class, 18835	4874404	12548368	Call
45.	1-2 Center Synchronizer ring		World class	4874405		21241
46.	1-2 Outer Synchronizer ring		World class	4874363		18831
47.	1-2 Synchronizer sleeve		World class			WT290-15A
48.	1-2 Synchronizer assembly	2000-01 Cherokee 2000-01 Wrangler		5013191AB		Call
		2002-04 Liberty 2002-04 Wrangler	34403, 18131	4874356AB	88934824 12549332	Call
49.	1st Gear inner Synchronizer ring hub		World class, 18834	4874403	12548367	Call
50.	1st gear	2000-01 Cherokee 2000-01 Wrangler		5013189AB		Call
		2002-04 Liberty 2002-04 Wrangler		4874355AB		Call
51.	1st & Reverse gear needle bearing		18795	4741871	12548230	Call
52.	Mainshaft	2000-01 Cherokee 4x2		5015955AA		Call
		2002-04 Liberty 4x2	world class, w/o-speedo, 290-2W same as 1998-04 Dodge 4x2	5003288AA		Call
		2000-01 Cherokee 4x4 2000-01 Wrangler	world class, 0.245" wide groove between 2nd and 3rd, 15-5/16" long	5013180AA		Call
		2001-04 Wrangler 4x4 2002-04 Liberty 4x4	world class, 0.312" wide groove between 2nd and 3rd, same as 1997-2004 Dakota 4x4	4874309 52104385AB 52104387AB 52104388AC		Call
53.	Reverse gear	2000-01 Cherokee 2000-01 Wrangler		5018359AA		Call
		2002-04 Liberty 2002-04 Wrangler	38 tooth, 18604, 33331	4741284AB 5019029AA	12473978 88934825	290-36
54.	Reverse synchronizer ring			4741285	23049723	18291
55.	5/R Synchronizer assembly		w/seal in reverse gear, w/o snap ring groove, synchronized reverse	4741278AB	88934828	Call
56.	5/R Synchronizer snap ring			4741805		Call
57.	5th gear needle bearing			4741273	12545775	Call
58.	5th gear	2000-01 Cherokee 2000-01 Wrangler	34 tooth, 1.845" O.L.	5015956AB		Call
		2002 Liberty	4x4 only, 24 tooth, 1.730" O.L. same as 1994-96 Ram/Dakota & 2000-04 Ram/Dakota	4883300AB 4741275, 4762045	88934833 12545776 12547365	290-18A
		2002-04 Liberty 2002-04 Wrangler	2002 Liberty 4x2 only, 22 tooth, 1.730" O.L.	5069040AA 5066649AA		Call
59.	Rear mainshaft bearing retainer	2000-01 Cherokee 4x2 2002-04 Liberty 4x2	Threaded holes	4741116	8672266	Call
		2000-01 Cherokee 4x4 2002-04 Liberty 4x4 2000-04 Wrangler 4x4	Drilled holes	4741114	8672265	Call
60.	Rear mainshaft bearing			4741866AB	88996720	573305D
61.	Reverse idler snap ring			4741311	23049746	Call
62.	Reverse idler thrust washer			4741310	12545787	Call
63.	Reverse idler thrust washer wave spring			4741309	12545785	Call
64.	Reverse idler thrust washer			4741307	12545787	Call

\*\*\* Call for availability on items that do not have a ZBAG part number listed \*\*\*

## Jeep NV3550 - 2000-01 Cherokee 4x2/4x4 - 2000-04 Wrangler 4x4 - 2002-04 Liberty 4x2/4x4

Item #	Description	Application	Notes	Jeep Part#	GM Part#	ZBAG Part#
65.	Reverse idler gear	2000-01 Cherokee 2000-01 Wrangler		5013199AA		Call
		2002-04 Liberty 2002-04 Wrangler	24 tooth, 1.38 wide, 30mm shaft	4741306 5066651AA	12545784	Call
66.	Reverse idler gear needle bearing			4874359, 4741305	12547410	Call
67.	Reverse idler gear shaft			4741303	12545781	Call
68.	Reverse idler gear check ball		4mm	4741891	14080547	Call
69.	Reverse idler gear retainer			4741312	12545789	Call
70.	Counter shaft bearing	2000-01 Cherokee 2000-01 Wrangler	1.3" id	5012971AB	12547321	FC68009
		2002-04 Liberty 2002-04 Wrangler	1.18" id	4740900 5066646AA 5015948AA	FC68336	FC67063
71.	Counter shaft	2000-01 Cherokee 2000-01 Wrangler	1.3" Counter shaft bearings 46-37-22-14-57	5015957AA		NV3550-8A
		2002 Liberty	4x4 only, 1.18" Counter shaft bearings, 34-28-22-14-43 same as 1994-96 Ram/Dakota and 2000-04 Ram/Dakota	4741299	12545780	290-8BR
		2002-04 Liberty 2002-04 Wrangler	1.18" Counter shaft bearings 2002 Liberty 4x2 only 34-28-22-14-37	5066650AA		J5066650AA
Not Shown	Tail bushing	2000-01 Cherokee 2002-04 Liberty	4x2			NP2801724
	Bearing kits	<b>Application</b>			<b>w/o Blockers</b>	<b>w/Blockers</b>
		2000-01 Cherokee 2000-01 Wrangler	With synchronizer rings 1.3" Id Counter shaft bearings		<b>BK235E</b>	<b>BK235FWS</b>
		2002-04 Liberty 2002-04 Wrangler	Without synchronizer rings 1.18" Id Counter shaft bearings		<b>BK235C</b>	<b>BK235CWS</b>

\*\*\* Call for availability on items that do not have a ZBAG part number listed \*\*\*