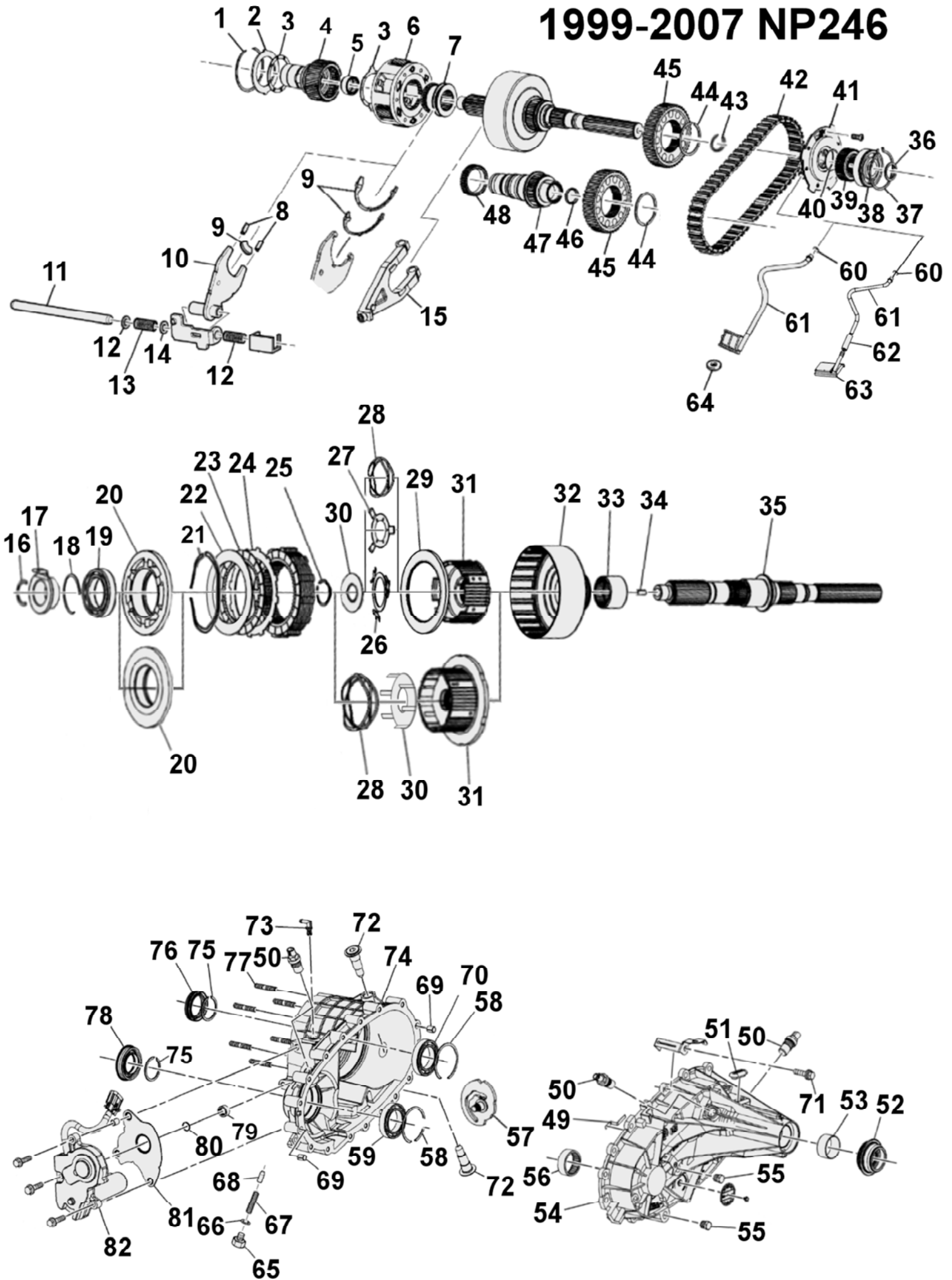


1999-2007 NP246



NP246 - 1998-2007 GM

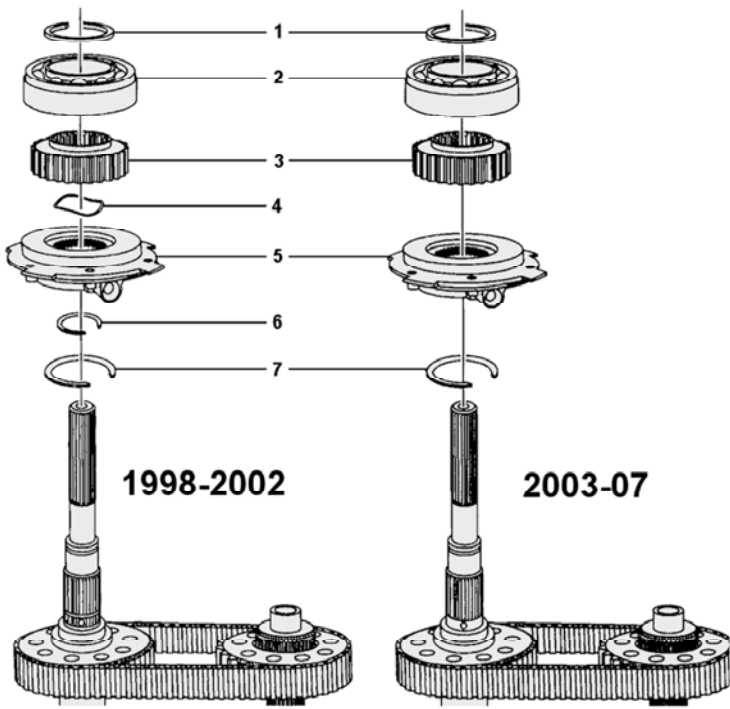
Item #	Description	Application	Notes	GM Part#	ZBAG Part#
1.	Planetary snap ring		16243	15547397	NP83503527
2.	Planetary lock plate		17483	15664905 15547396	GM15664905
3.	Planetary plastic thrust washer	Upper	16437	15547390 12546930	NP5012367AA
		lower	27135	12470959	NP5012367AA
4.	Input shaft	w/4L60E		88962322 12548147	19020
		w/4L80E		88962329 12386258	19019
5.	Input pocket bearing		FC66561	12350040	NP83503507
6.	Planetary carrier assembly	3 pinion	17868	12384949 12548011	NP4796903
		4 pinion	19017, 37424	88984435 12384975	19017
		6 pinion	17869, 37425	88958816 12547997	NP4797030
7.	High/low range hub	1998-2004	17982	12386242	17982
		2005-07	Use with updated fork	88962354	
8.	Range fork side shift pads	1998-2004	13795	14037966	NP4167969
9.	Range fork center shift pad	1998-2004	15556	14070291	NP4338376
		2005-07	Updated pad	12384966	37284
10.	Range fork assembly	1999-2005		12470960	26542
		2005-07	Updated fork, two piece pads	89059621	Call
11.	Range fork shift shaft		23748	12547661	Call
12.	Range fork bushing		16457	15662236	Call
13.	Range fork spring		17267	15662307	Call
14.	Range fork shaft guide washer		16456	15662306	Call
15.	Mode fork/clutch apply fork	1998-2002	Cast 22459	12474067 12547483	30081
		2003-07	Cast 45684	88996468	40966
16.	Clutch drum snap ring		22495	12547623	22495
17.	Pressure plate inner apply hub			89059652	22497
18.	Pressure plate bearing snap ring				Call
19.	Pressure plate bearing			12384993	6011
20.	Pressure plate	1998-1999	29010, Must update to 2004-07 style, with GM89059640, GM88996474, 27745 & 27746	12474440	Call
		2000-01	Must update to 2004-07 style with GM89059640, GM88996474, 27745 & 27746	88962330 12474070	Call
		2002-05	Has groove for spring (item# 21) Use when updating 1998-2003	88962331	27745
		2006-07	52766 no groove for spring (item# 21)	88962327 89059643	GM89059643
21.	Pressure plate wavy apply spring	1998-2005		12474071	27746
22.	Clutch pack shim		0.012"		GM12547610
			0.016"		GM12470944
			0.026"		GM12470945
			0.036"		GM12470946
			0.046"		GM12470947
			0.056"		GM12470948
23.	Clutch pack fiber			89059648	12100
24.	Clutch pack steel			12547608	12120
25.	Clutch hub snap ring			12547606	GM12547606
26.	Pressure plate return spring	1998-2000	6 tab, 22478	12547605	GM12547605
27.	Pressure plate return spring	2001-2002	3 tab, 28399	12474069	GM12474069
28.	Pressure plate return spring	2003-2007	4" round waffle spring	88996474	GM88996474
29.	Inner clutch pressure plate				Call
30.	Oil restrictor plate	2003	Flat round plate	88996620	Call
		2004-2007	Flat plate w/tabs at outer edge	89059640	GM89059640-2
31.	Clutch hub	1998-2003	Must update to 2004-07 style Use GM89059640, GM88996474, 27745 & 27746	12547497	Call
		2004-2007		89059640	GM89059640
32.	Clutch drum			12384942	GM12384942
33.	Clutch drum needle bearing		24613	12470557	FC69343
34.	Mainshaft oil restrictor plug			12470957	Call
35.	Mainshaft/output shaft			89059641	Call
36.	Rear mainshaft bearing snap ring			12470554	1300-139-027
37.	Rear mainshaft bearing outer snap ring		22506	12547632	22506
38.	Rear mainshaft bearing		12547632	88962351	573305D
39.	Rear speed sensor tone wheel		22449	12547474	Call
40.	Oil pump wave washer		27985	12473056	GM12473056

*** Call for availability on items that do not have a ZBAG part number listed ***

NP246 - 1998-2007 GM

Item #	Description	Application	Notes	GM Part#	ZBAG Part#
41.	Oil pump		16686	12547630	NP4638896
42.	Drive chain			12474602	HV072
43.	Oil pump snap ring	1998-2002		12547475	NV16684
44.	Drive/driven sprocket retaining ring		22451	12547477	Call
45.	Drive/driven sprocket		31269	12474614	31269
46.	Front output shaft rear plug			12473236	Call
47.	Front output shaft			12470958	29733
48.	Front output shaft tone wheel			12472605	Call
49.	Oil pump wear clip		Updated clip fits onto oil pump tab	89059653 12470559	GM12470559
			Aftermarket case saver wear plate		BRNY4080
50.	Speed sensor		213347, 22512	12376520	Call
51.	Access hole oval plug		41500 27313	88958815 12470560	5018919AA
52.	Rear seal		22507	12547638	CR22507
53.	Tail bushing		17475	15665313	WT297-62
54.	Rear case half		30603	12474949	30603
			Aftermarket aluminum		30603/30961
55.	Drain/Fill plug		30412	15032997	30412
56.	Front output shaft rear bearing		18643	12547173	HK5020
57.	Shift cam	1998-2002	28434	12474400	GM12474400
		2003-2007		88962346	45528
58.	Front output bearing snap ring		16442	12547465	Call
59.	Front output shaft front bearing			89059659	6010N
60.	Oil tube O-ring		16214	15547430	NP4338942
61.	Oil tube	1998-2003	Steel	88962338	Call
		2004-07	Plastic	88962328	Call
62.	Oil filter coupler	1998-2003	0.26" id	12478086	Call
63.	Oil filter		16217	15547432	16217
64.	Magnet		3787240	12471607	Call
65.	Shift detent plug	1998-2002	22511	12547642	Call
66.	Shift detent plug O-ring	1998-2002	15715	14071849	Call
67.	Shift detent spring	1998-2002	17174	15636639	Call
68.	Shift detent plunger	1998-2002	29781	12474072	29781
69.	Dowel pin		13627	14037948	Call
70.	Input bearing			89059659	6010N
71.	Case half bolt		Kit-includes bolts and washers	88996722 12472603	246BOLTKIT
72.	Clutch lever pivot bolt			89059638	Call
73.	Vent tube			89059654	26162
74.	Front case half	1998-2002	30597	12474948	30597
		2003-2007	42410	88996461	42410
75.	Input shaft/front output shaft snap ring		16723	682653	GM6259193
76.	Input seal		22441	12547466	CR4435
77.	Transfer case mounting stud		26070	12470962	26070
78.	Front output seal		30138	12474947	CR23740
79.	Shift shaft needle bearing/seal		22440, FC68828	12547464	GM12547464
80.	Retaining ring		16706	15662234	Call
81.	Shift motor insulator		40972	88891184	Call
82.	Shift motor	1998-2002	27873	12474401	UMM1237
		2003-2007		19125640	UMM2237
Not Shown	Bearing and seal kit				BK351
	Oil pump seal				CR22306
	246 Auto Trak II oil				GM12378508
	Adapter gasket				GS100127
	Front output seal installation tool				M109R
	Gasket and seal kit				TSK246

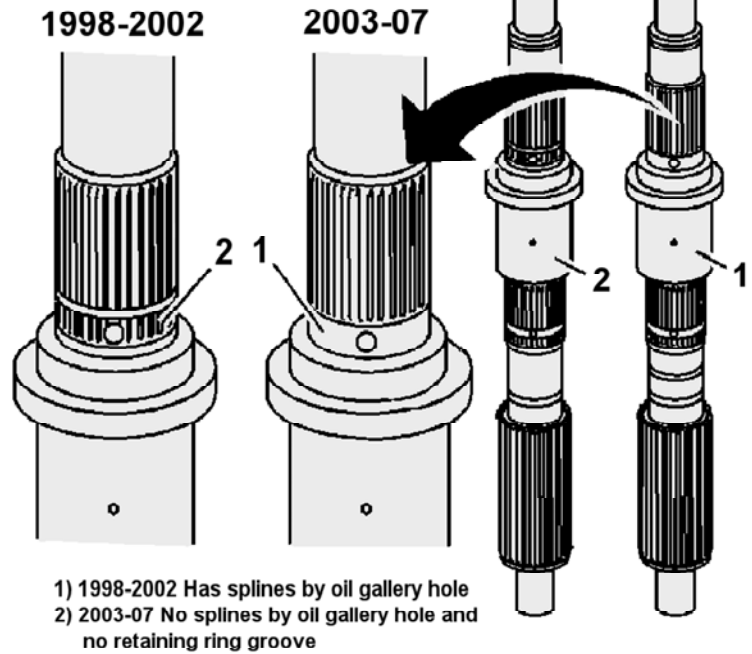
*** Call for availability on items that do not have a ZBAG part number listed ***



1998-2002

2003-07

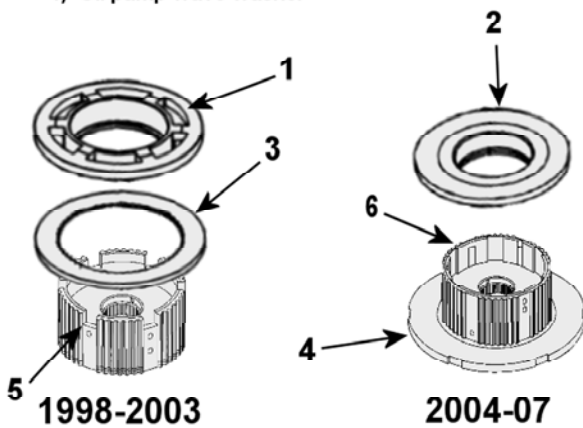
- 1) Rear output shaft retaining ring
- 2) Rear mainshaft bearing
- 3) Speed sensor tone wheel
- 4) Oil pump wave washer
- 5) Oil pump
- 6) Oil pump retaining ring
- 7) Drive sprocket retaining ring



1998-2002

2003-07

- 1) 1998-2002 Has splines by oil gallery hole
- 2) 2003-07 No splines by oil gallery hole and no retaining ring groove

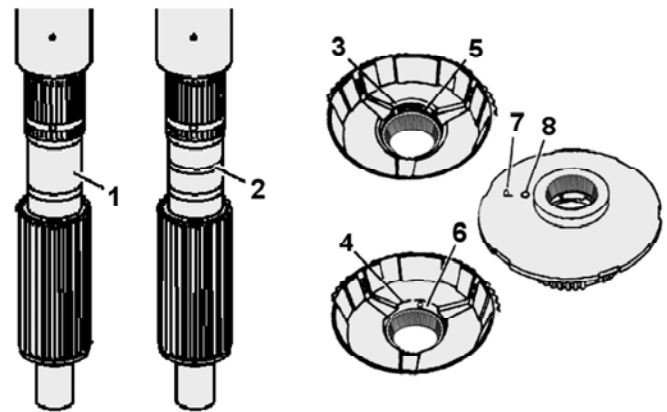


1998-2003

2004-07

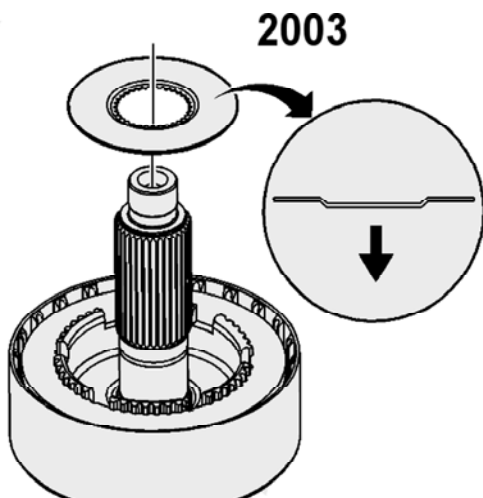
- 1) 1998-2003 Pressure Plate - Has opening and sits down into clutch hub
- 2) 2004-07 Pressure plate is solid, no openings
- 3) 1998-2003 Lower pressure plate is removable
- 4) 2004-07 Lower pressure plate is not removable
- 5) 1998-2003 Clutch Hub has notches for pressure plate to sit down into
- 6) 2004-07 Clutch hub does not have notches for pressure plate

2006-2007



Mid year 2006 GM went from a slip fit to a press fit on the clutch hub and mainshaft.

- 1) slip fit - Only two snap ring grooves
- 2) press fit - Extra snap ring groove between the clutch hub retaining ring groove and the clutch apply plate groove
- 3) Slip fit - straight chamfer
- 4) Press fit - curved radius
- 5) Slip fit - Machined counter-bore
- 6) Press fit - Non-machined counter-bore
- 7) All that are cast with the letter P by the locator hole(8) are the press fit style, some early press fit hubs were not cast with the letter P



2003