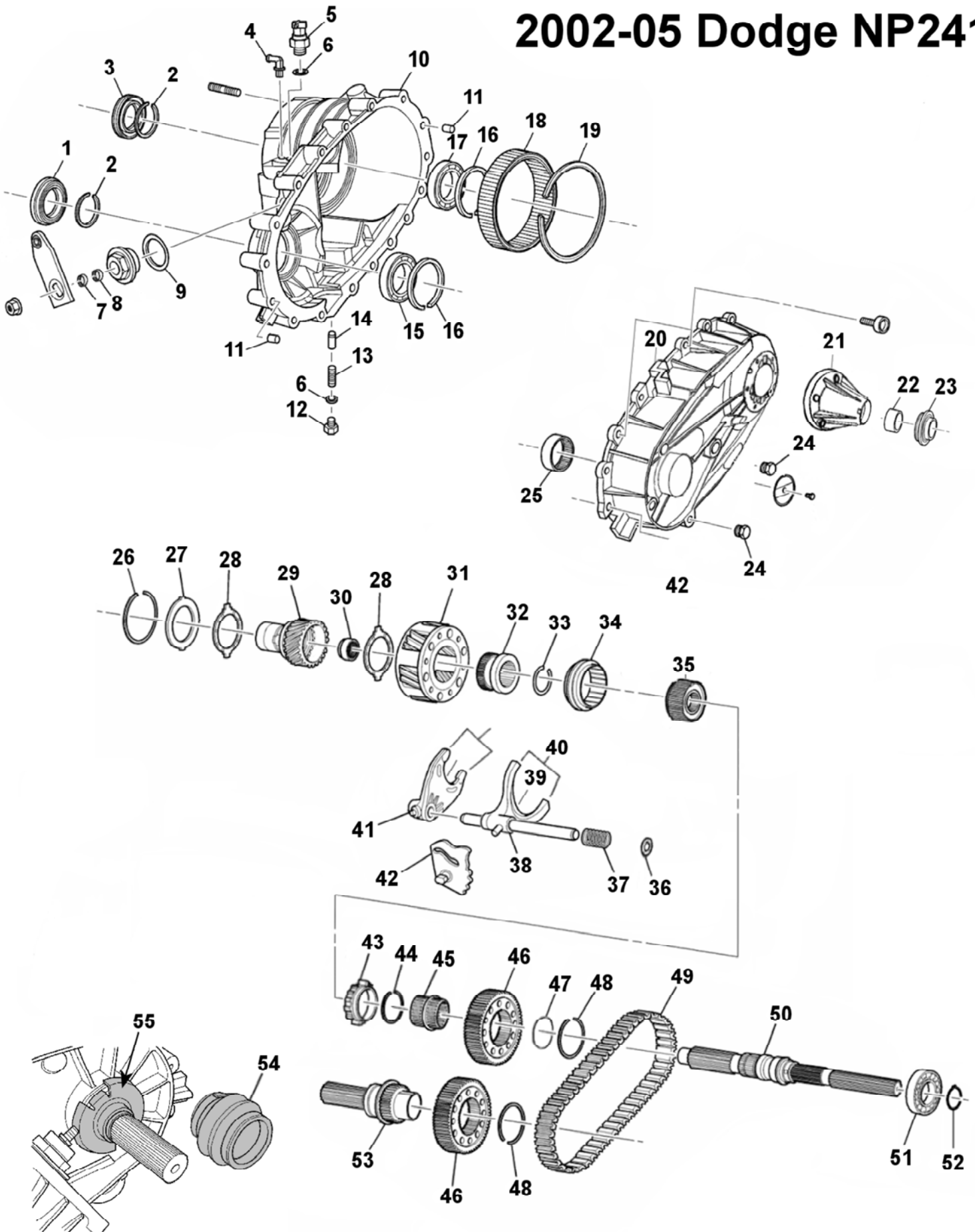


2002-05 Dodge NP241



2000-05 Dodge NP241 GenII

Item #	Description	Application	Notes	Dodge Part#	GM Part#	ZBAG Part#
1.	Front output seal		2.754" x 1.376" x .394"			CR32739
2.	Snap ring					GM6259193
3.	Input seal		2.698" x 1.929" x .374"			CR33982
4.	Vent tube			68001633AA		Call
5.	Shift indicator switch					Call
6.	O-ring/gasket					Call
7.	Shift shaft needle bearing			68026169AA		B126
8.	Shift shaft seal			5080761AA		FNJ-16
9.	Shift shaft housing gasket			5014046AA		Call
10.	Front case half			5080154AA		Call
11.	Dowel pin					Call
12.	Detent plug		23989	4886473AA		NP4886473AA
13.	Detent spring			53008218		NP53008218
14.	Detent plunger		16754	53008217	15633556	NP53008217
15.	Front output front bearing					6207N
16.	Snap ring					Call
17.	Input bearing		24mm wide, snap ring groove in the center of the bearing			BD50-8A
18.	Annulus gear					Call
19.	Annulus gear snap ring					Call
20.	Rear case half		Cast# 37800	5080221AA		5080221AA
21.	Tail housing			5080386AA		Call
22.	Tail bushing					WT297-62
23.	Rear output seal		2.701" x 1.886 x .469			CR22507
24.	Drain/fill plug			68001627AA		Call
25.	Front output rear bearing					SCE2416
26.	Planetary snap ring		16243	83503527	15547397	NP83503527
27.	Planetary lock plate				15664905	GM15664905
28.	Planetary thrust washer			5012367AA	12470959	NP5012367AA
29.	Input shaft			5072464AA		Call
30.	Input pocket bearing			5080499AA		DB73167
31.	Planetary gear assembly		3 Pinion	68196327AA		NP4796903
			4 Pinion	68196232AA		19017
			6 Pinion			NP4797030
32.	Range hub			5086104AA		Call
33.	Mode hub snap ring					Call
34.	Mode sleeve			5080207AA		Call
35.	Mode hub			5080504AA		Call
36.	Mode fork return spring cup			83503515		Call
37.	Mode fork return spring			0013816		Call
38.	Mode fork			5080158AA		Call
39.	Mode fork center pad			4219073		NP4219073
40.	Mode fork side pad			4167969		NP4167969
41.	Range fork			4798136		17833R
42.	Shift cam			5080156AA		Call
43.	Drive sprocket hub clutch gear			51599999AA		Call
44.	Drive sprocket hub snap ring			5080803AA		Call
45.	Drive sprocket hub			51599999AA		Call
46.	Drive/driven sprocket		38984	05080201AA		Call
47.	Drive sprocket thrust washer					Call
48.	Sprocket snap ring					Call
49.	Drive chain		1.25" wide, 42 links	5080215AA		HV081
50.	Mainshaft			5080180AA		Call
51.	Rear mainshaft bearing					6207N
52.	Rear mainshaft snap ring					Call
53.	Front output shaft			5080211AA		Call
54.	Front output boot			68042768AA		Call
55.	Front output dust shield			5080229AA		5080229AA
Not Shown	Bearing kit					BK241E
	Gasket and seal kit					TSK241D

*** Call for availability on items that do not have a ZBAG part number listed ***