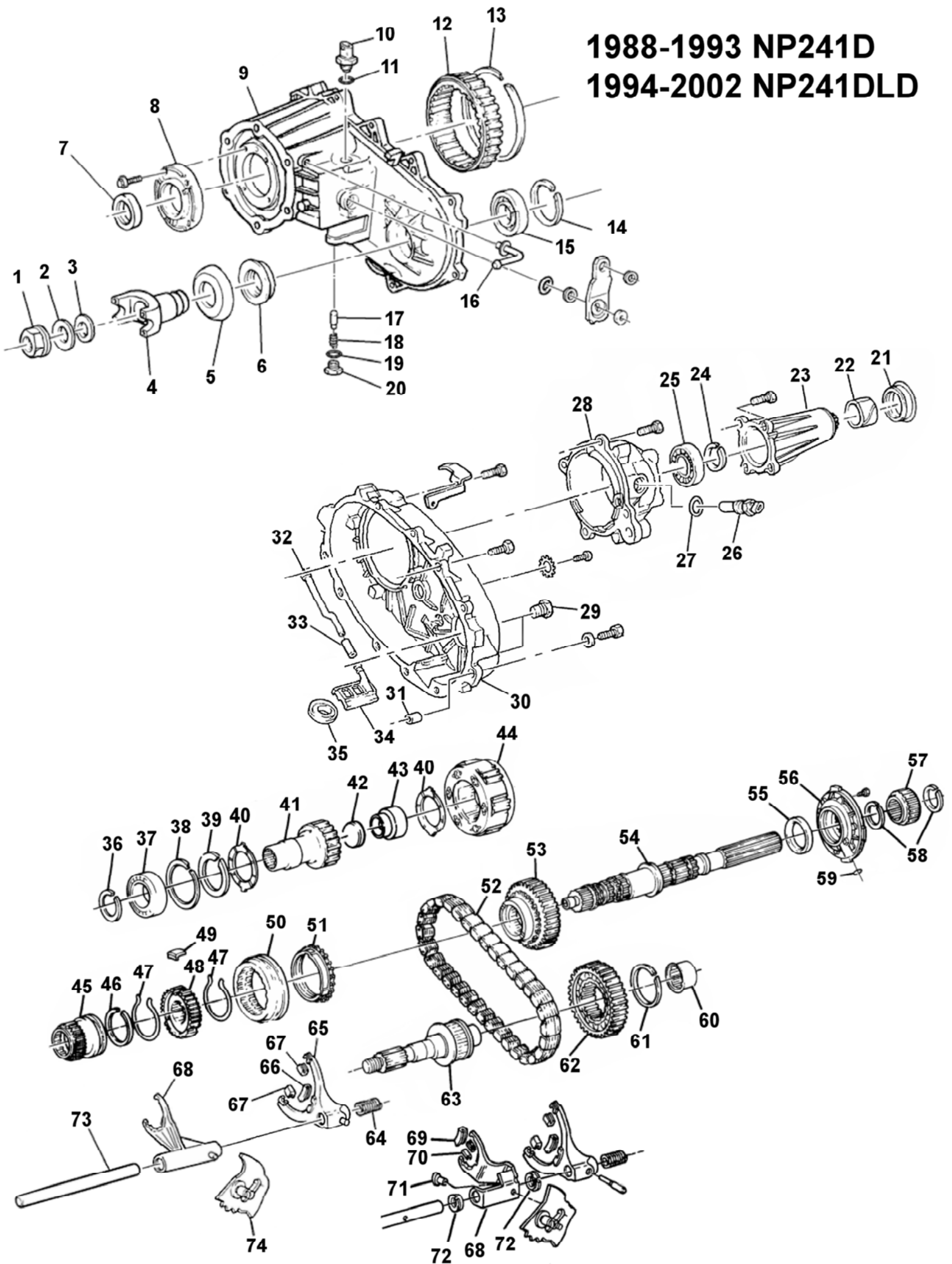


**1988-1993 NP241D**  
**1994-2002 NP241DLD**



## 1988-93 Dodge 241D/1994-2002 Dodge 241DLD

Item #	Description	Application	Notes	Dodge Part#	GM Part#	ZBAG Part#
1.	Front output yoke nut					Call
2.	Front output yoke washer					Call
3.	Front output yoke rubber washer					Call
4.	Front output yoke					Call
5.	Front output yoke dust shield					Call
6.	Front output seal	1988-96	2.754" x 1.875" x .5"			CR18771
		1997-2002	2.755" x 1.875" x .677"			CR19060
7.	Input seal		2.69" x 1.938" x .5"		12547466	CR4435
8.	Input seal retainer				15547399	Call
9.	Front case half	1988-93 241D	Passenger side front output shaft Cast# 16124, 17024	4338964 53008219		NP4338964
		1994-2002 241DLD	26614	4897961AA		26614
		1994-2002 241DLD	17934, 21289, 32173, cast# 17240	5015449AA		NP5015449AA
10.	Shift indicator switch					Call
11.	Shift indicator switch gasket					Call
12.	Annulus gear					Call
13.	Annulus gear snap ring					Call
14.	Front output bearing snap ring					Call
15.	Front output front bearing	1988-93 241D				6307N
		1994-2002 241DLD				6207N
16.	Vent tube				89059625	17988
17.	Detent plunger	1988-93 241D	Small		15547383	GM15547383
		1994-2002 241DLD	Large	53008217	15633556	NP53008217
18.	Detent spring	1988-93 241D	Small		15547384	GM15580210
		1994-2002 241DLD	Large	53008218	15636639	NP53008218
19.	Detent plug gasket/O-ring	1988-93 241D	Small		15547385	Call
		1994-2002 241DLD	Large		14071849	Call
20.	Detent plug	1988-93 241D	Small		3975717	GM15580211
		1994-2002 241DLD	Large	4886473AA	12547642	NP4886473AA
21.	Rear output seal		2.7" x 1.886" x .55"			CR18992
22.	Tail bushing		17475		15665313	WT297-62
23.	Tail housing					17462
24.	Rear mainshaft snap ring					1300-139-027
25.	Rear mainshaft bearing					6207N
26.	Speed sensor					Call
27.	Speed sensor O-ring					Call
28.	Rear bearing retainer	1988-93 241D	Passenger side front output shaft			Call
		1994-2002 241DLD	Drivers side front output shaft w/speedo, cast# 21655, 17537	4797551		21654
29.	Drain/fill plug					Call
30.	Rear case half	1988-93 241D	Passenger side front output shaft		15546616	NP4338998
		1994-2002 241DLD	Driver side front output shaft Cast# 16119, use 21653	4797550	15547435	21653
31.	Dowel pin					Call
32.	Oil pump tube	1988-93 241D	Passenger side front output shaft		15546611	Call
		1994-2002 241DLD	Drivers side front output shaft	83503523	15547429	NP83503523
33.	Oil tube connector					NP4338944
34.	Oil filter	1988-93 241D	Passenger side front output shaft			NP4338995
		1994-2002 241DLD	Drivers side front output shaft			16217
35.	Magnet					Call
36.	Input bearing to shaft snap ring				6259193	GM6259193
37.	Input bearing	1988-94	0.94" (24mm) wide			BD50-8
		1995-2002	0.63" (16mm) wide		89059659	6010N
38.	Planetary snap ring		16243	83503527	15547397	NP83503527
39.	Planetary lock plate				15664905	GM15664905
40.	Planetary thrust washer			5012367AA	12470959	NP5012367AA
41.	Input shaft	1988-93	23 spline, 5" long, wide bearing, early tooth planetary	53006085		NP4761192
		1994	29 spline 5" long, wide bearing, works w/early or late planetary	4797029		17954
		1995-2002	23 spline, 4.2" long, narrow bearing, late tooth planetary	4798183		NP4897963AA
		1995-2002	29 spline 5" long, narrow bearing	4856629		22409
42.	Input pocket bearing plug		Use NP83503507 bearing			
43.	Input pocket bearing		Closed end style 1.5" x 1.125"	83503507	12350040	NP83503507
44.	Planetary gear assembly	1988-94 3 pinion	16174	4338901		NP4338901
		1988-94 6 pinion	16550, 16273			NP4338971
		1995-2002 3 pinion	17868	4796903	12384949	NP4796903
		1995-2002 4 pinion	19017, 37424		88984435	19017
		1995-2002 6 pinion	17869, 37425	4797030	88958816	NP4797030

\*\*\* Call for availability on items that do not have a ZBAG part number listed \*\*\*

## 1988-93 Dodge 241D/1994-2002 Dodge 241DLD

Item #	Description	Application	Notes	Dodge Part#	GM Part#	ZBAG Part#
45.	Range hub					19114
46.	Mode hub snap ring					NP4338933
47.	Mode spring	1988-93 241D	4" blocker	4329524		NP4329524
		1994-2002 241DLD	5" blocker			17778
48.	Mode hub	1988-93 241D	4" blocker		12472965	24271
		1994-2002 241DLD	5" blocker			17772
49.	Mode key			4746137	14037972	GM14037972
50.	Mode sleeve	1988-93 241D	4" blocker			17823
		1994-2002 241DLD	5" blocker			17773
51.	Mode synchronizer ring	1988-93 241D	4" blocker, 15547	4329526	14071703	NP4329526
		1994-2002 241DLD	5" blocker	4746139		NP4746139
52.	Drive chain		1.25" wide, 36 links			HV025
53.	Drive sprocket	1988-93 241D	Uses needle bearing under sprocket, 4" blocker	4338987	15547414	NP4338987
		1994-2002 241DLD	No needle bearing under sprocket 5" blocker	4746256		NP4746256
54.	Mainshaft	1988-93 241D	Uses needle bearing under the drive sprocket, 1.125" pilot	4338985		Call
		1994-2002 241DLD	No needle bearing under drive sprocket, 1.125" pilot	4778949	12547999	GM12547999
55.	Oil pump seal		2.62" x 2.25" x .18"			CR22306
56.	Oil pump					16209
57.	Speedometer tone wheel/gear					Call
58.	Speedometer gear snap ring			4338997	15547434	Call
59.	Oil tube O-ring					NP4338942
60.	Front output rear bearing					SCE2416
61.	Driven sprocket snap ring					Call
62.	Driven sprocket			4746259	14037980	NP4746259
63.	Front output shaft					
64.	Mode fork return spring					Call
65.	Mode fork	1988-93 241D	Passenger side front output shaft Cast# 16342	4778690	15546600	NP4778690
		1994-2002 241DLD	Driver side front output shaft 5-1/2" spread	4746136		17790
66.	Mode fork center pad					NP4219073
67.	Mode fork side pad					NP4167969
68.	Range fork	1988-93 241D	Passenger side front output shaft Stamped steel	4338974		NP4338974
		1994-97 241DLD	Driver side front output shaft Cast iron	4746134		17543
		1998-2002 241DLD	Driver side front output shaft Cast aluminum	4798136		17833R
69.	Range fork center pad	1988-97 241D/241DLD	Used w/stamped steel and cast iron range fork	4338376		NP4338376
70.	Range fork side pad	1988-97 241D/241DLD	Used w/stamped steel and cast iron range fork	4167969		NP4167969
71.	Range fork pin	1988-93 241D				Call
72.	Range fork bushing	1988-93 241D	Used w/stamped steel fork	4338919	15547404	GM15547404
73.	Shift shaft	1988-93 241D				Call
74.	Shift cam	1988-93 241D	Passenger side front output shaft		15547380	Call
		1994-97 241DLD	Driver side front output shaft Pattern from dash 2H-4H-N-4L		12540002	Call
		1998-2002 241DLD	Driver side front output shaft Pattern from dash 4L-N-2H-4H			Call
Not Shown	Bearing kit	1988-93 241D	0.94" wide input bearing Passenger side front output shaft			BK241D
		1994 241DLD	0.94" wide input bearing Driver side front output shaft			BK241
		1995-2002 241DLD	0.63" wide input bearing Driver side front output shaft			BK241A
	Drive sprocket needle bearing					HK5020
	Gasket and seal kit					TSK241
Adapter gasket					GS100127	

\*\*\* Call for availability on items that do not have a ZBAG part number listed \*\*\*