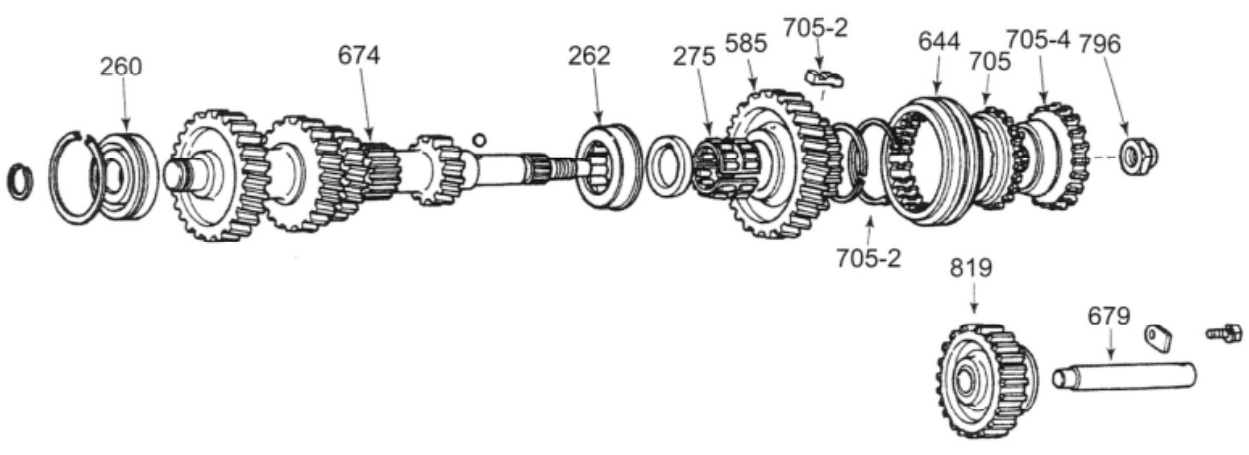
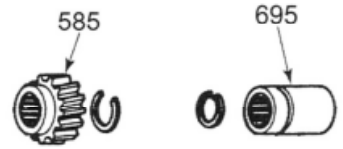
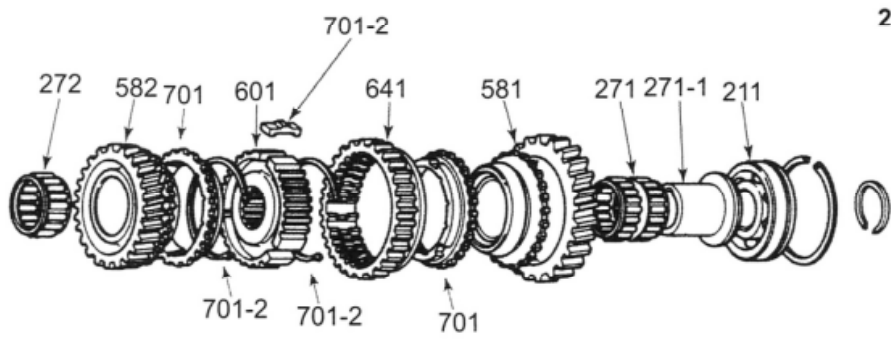
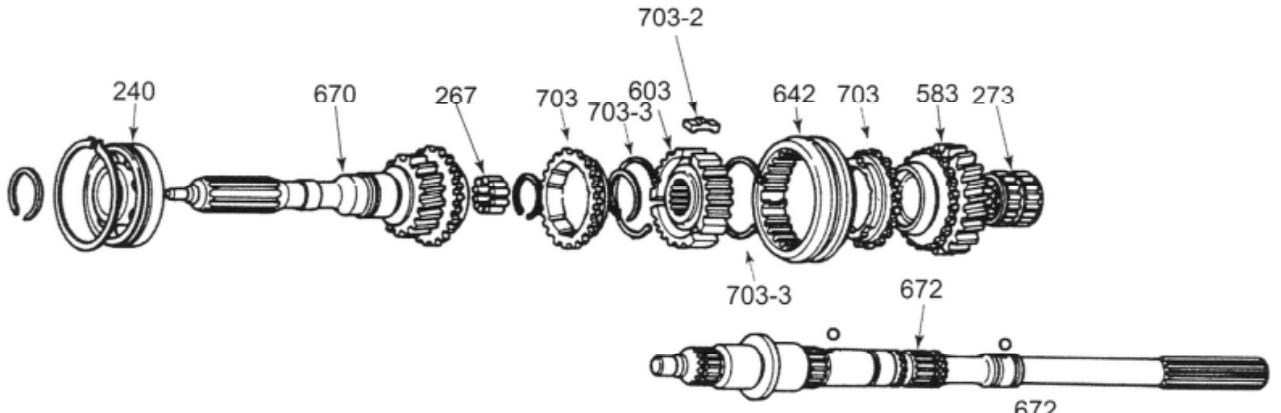
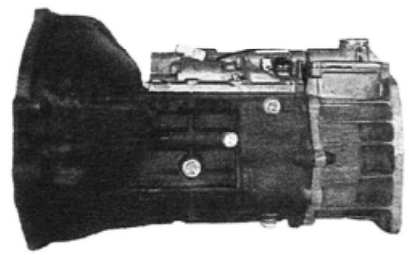


Toyota

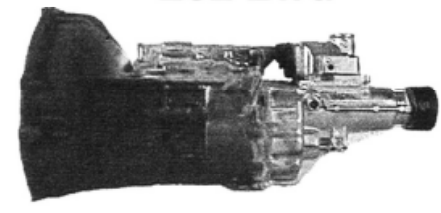
L45, L52



L52 4wd

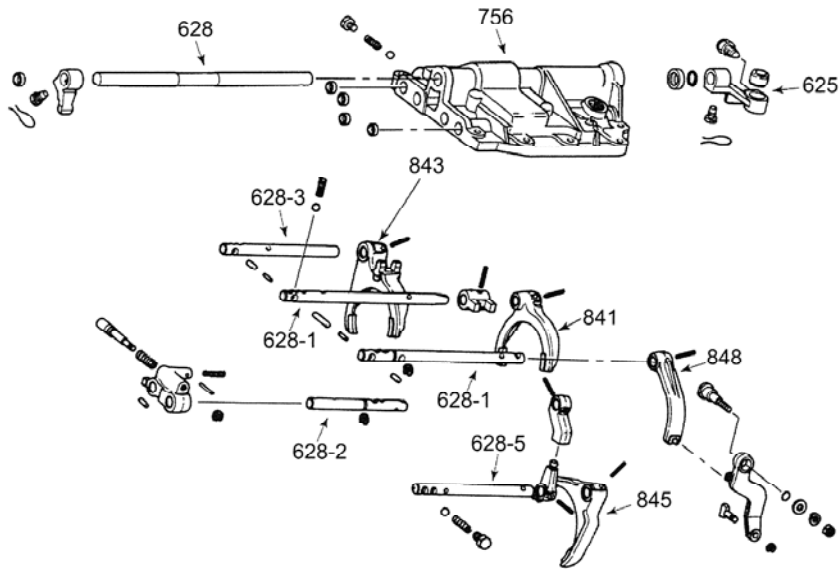
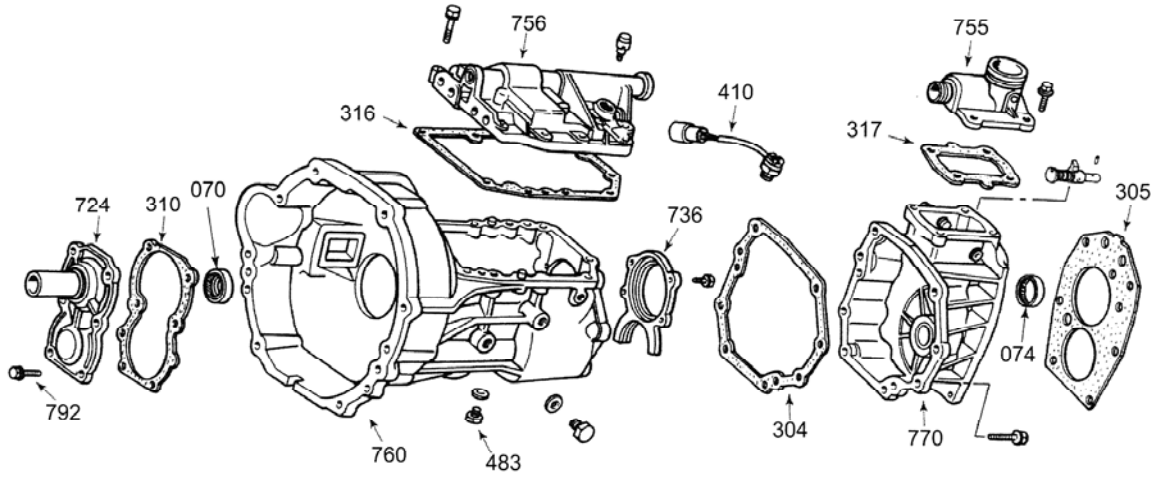


L52 2wd



Toyota

L45, L52



BK100 Kit Contents

OUR ITEM NR	QTY	MFG ITEM NR	MFG DESC
30BCS19-2NSLNR	1	0T-30BS19	MAINSHAFT BEARING
31RUKSNR	1	31RUK5NRC3	REAR COUNTER BEARING
B32-14UR	1	B32-14UR	INPUT BEARING
CR11615	1	CR11615	INPUT SEAL
CR12744	1	CR12745	4WD ADAPTER SEAL
CR14730	1	CR14730	2WD SEAL
K04331-35072S	1	L52-55	GASKET SET
L52NR	14	L52NR	INPUT POCKET NEEDLES
NUP2205S8NC3	1	025-5C/3	FRONT COUNTER BEARING