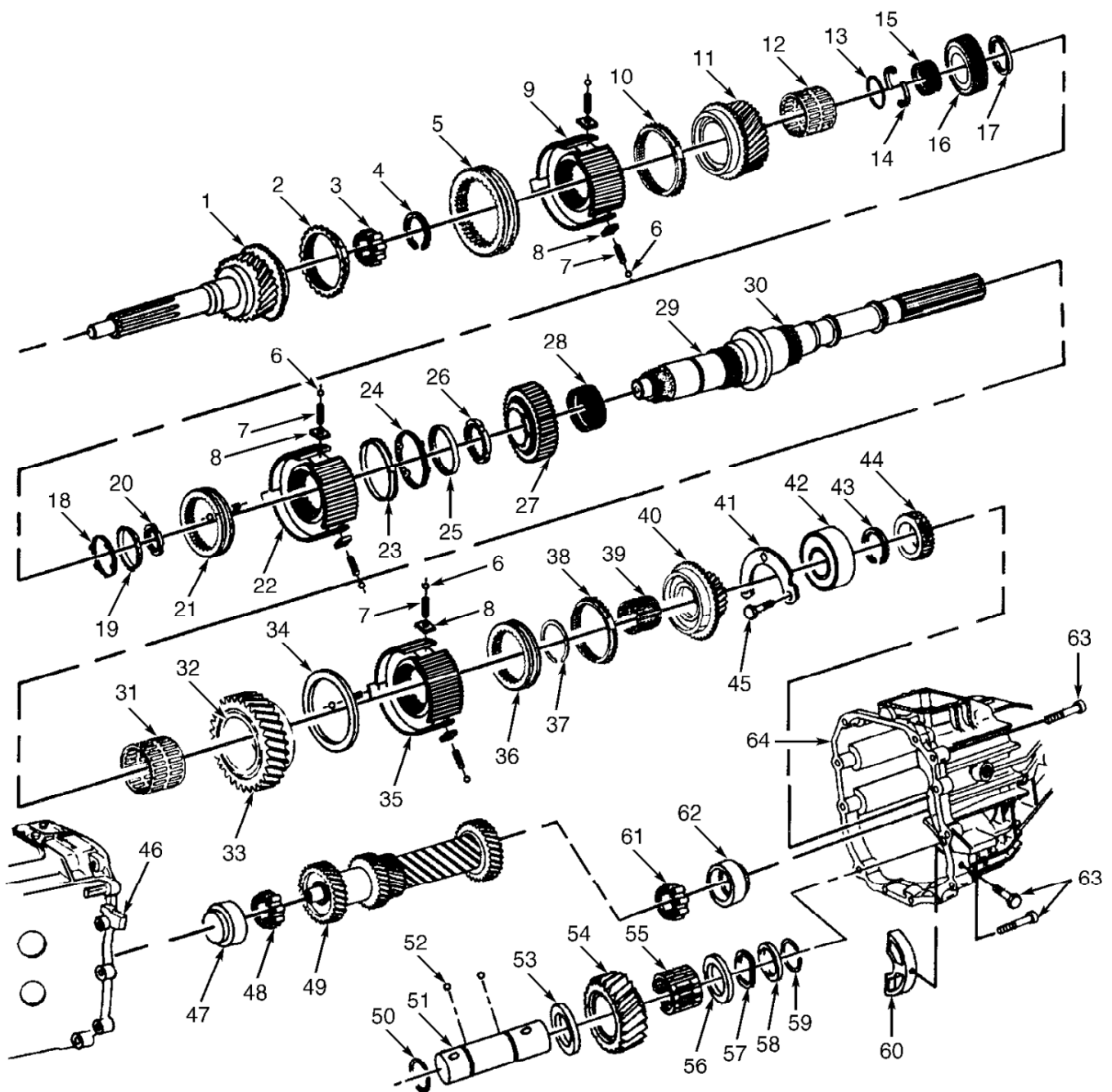


- 1. 3rd-4th Shift Fork
- 2. Block-Out Bushing
- 3. Shift Lever
- 4. Detent Plunger
- 5. Detent Spring
- 6. 1st-2nd Shift Fork
- 7. Roll Pin
- 8. 5th-Reverse Shift Fork
- 9. Shift Rail Socket
- 10. Shift Rail
- 11. Shift Lever Housing Assembly
- 12. Boot

- 13. Transmission Shift Lever
- 14. Bolt
- 15. Isolator Plate
- 16. Oil Seal
- 17. Extension Bushing
- 18. Dowel Pin
- 19. Speed Sensor
- 20. "O" Ring
- 21. Back-Up Light Switch
- 22. Oil Delivery Tube
- 23. Shift Rail Bushing
- 24. Rear Housing
- 25. Plug
- 26. Detent Plunger Bushings
- 27. Oil Drain Plug
- 28. Front Housing
- 29. Clutch Fork Pivot
- 30. Oil Fill Plug
- 31. Block-Out Bushing Pin
- 32. Breather Assembly
- 33. Breather Hose
- 34. Snap Ring
- 35. Input Shaft Bearing
- 36. Bearing Retainer



- | | | |
|--------------------------------|---|---------------------------------------|
| 1. Input Shaft | 23. Synchronizer Blocker Ring | 44. Speed Sensor Rotor |
| 2. Synchronizer Ring | 24. Synchronizer Cone | 45. Bolt |
| 3. Pilot Bearing | 25. Synchronizer Reaction Cone | 46. Front Housing |
| 4. Selective Snap Ring | 26. Synchronizer Blocker Ring | 47. Countershaft Bearing Race (Front) |
| 5. Synchronizer Sleeve | 27. 1st Gear | 48. Countershaft Bearing (Front) |
| 6. Synchronizer Detent Ball | 28. 1st Gear Bearing Assembly | 49. Countershaft |
| 7. Synchronizer Detent Spring | 29. Output Shaft | 50. Snap Ring |
| 8. Synchronizer Key | 30. 5th Gear Seal | 51. Reverse Idler Shaft |
| 9. 3-4 Synchronizer Hub | 31. Reverse Gear Bearing Assembly | 52. Locating Ball |
| 10. Synchronizer Ring | 32. Reverse Gear Seal | 53. Thrust Washer |
| 11. 3rd Gear | 33. Reverse Gear | 54. Reverse Gear |
| 12. 3rd Gear Bearing Assembly | 34. Spiral Lock Ring | 55. Reverse Gear Bearing Assembly |
| 13. Retainer Ring | 35. 5th-Reverse Synchronizer Hub | 56. Thrust Washer |
| 14. 2-Piece Thrust Washer | 36. 5th-Reverse Synchronizer Sleeve | 57. Spring |
| 15. 2nd Gear Bearing Assembly | 37. Snap Ring | 58. Washer |
| 16. 2nd Gear | 38. Synchronizer Blocker Ring | 59. Snap Ring |
| 17. Synchronizer Reaction Cone | 39. 5th Gear Bearing Assembly | 60. Idler Shaft Support |
| 18. Synchronizer Cone | 40. 5th Gear | 61. Countershaft Bearing (Rear) |
| 19. Synchronizer Ring | 41. Output Shaft Bearing Retainer (2WD) | 62. Countershaft Bearing Race (Rear) |
| 20. Synchronizer Ring | 42. Output Shaft Bearing Assembly | 63. Bolt |
| 21. 1-2 Synchronizer Sleeve | 43. Snap Ring | 64. Rear Housing |
| 22. 1-2 Synchronizer Hub | | |

BK235BWS Kit Contents

OUR ITEM NR	QTY	MFG ITEM NR	MFG DESC
290-14	5	290-14	1-5 SYNCHRO RINGS
308-338.KSE	1	304968	POCKET BEARING
573305D	2	573305D	INPUT & REAR MAINSHAFT BEARI
CR10289	1	CR10289	2WD REAR SEAL
CR10290	1	CR10290	INPUT SEAL
CR14087	1	CR23049636	4X4 REAR SEAL
CR9846	1	CR9846	S10 REAR SEAL
FC67063	2	FC67063	FRONT & REAR COUNTER BEARIN
GM8672243	1	8672243	FRONT COUNTER PLUG
GS100127	1	TC2030-9	ADAPTER GASKET
GS100130	1	TC2030-6	ADAPTER GASKET
SP3500-50	1	SP3500-50	SMALL PARTS KIT