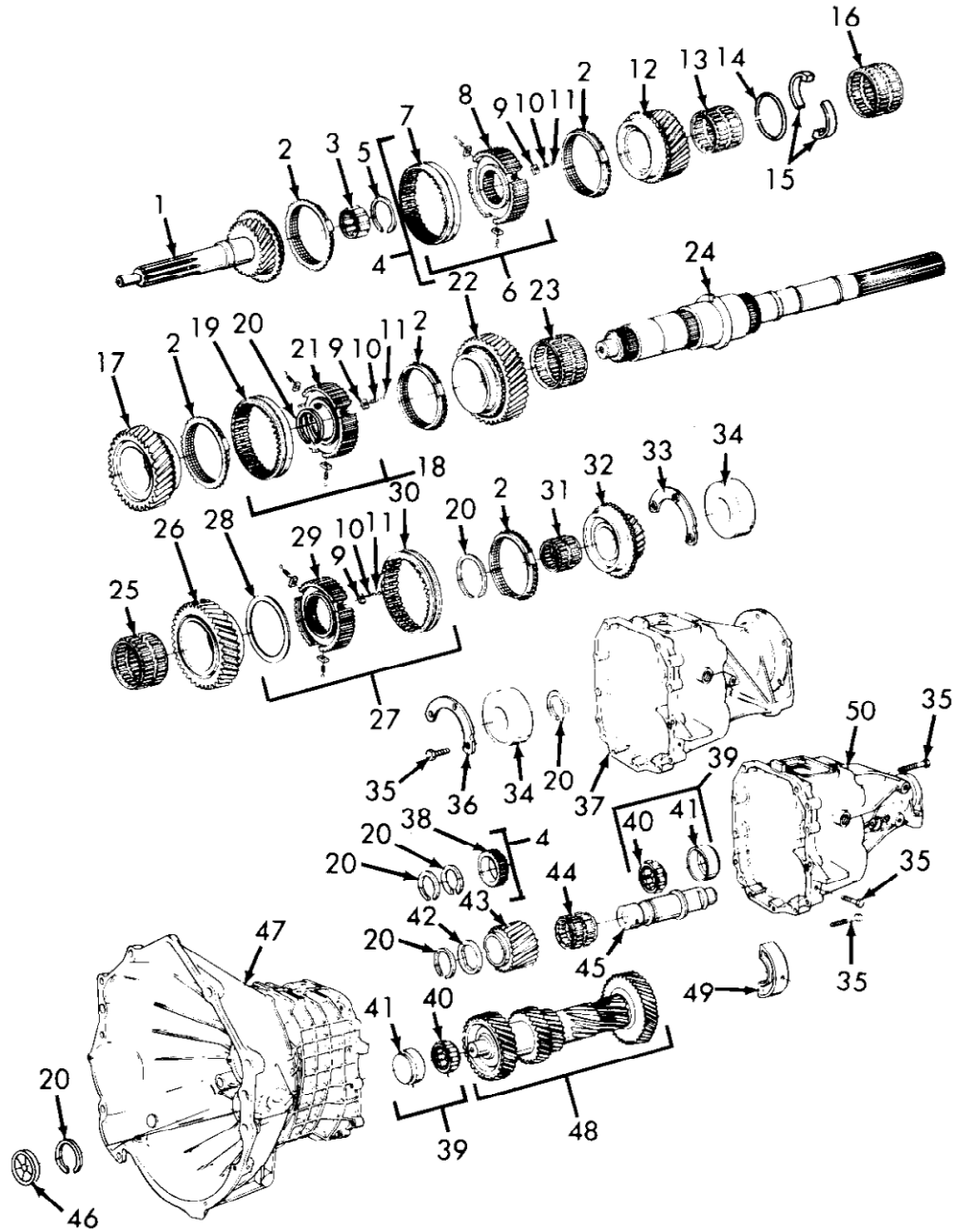
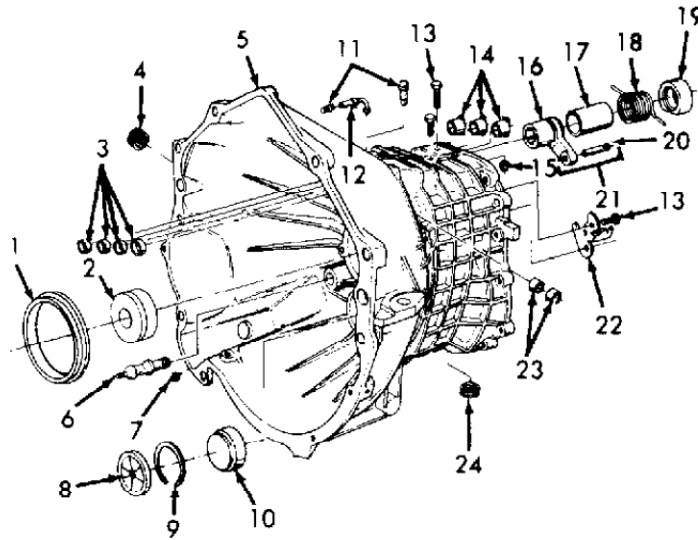


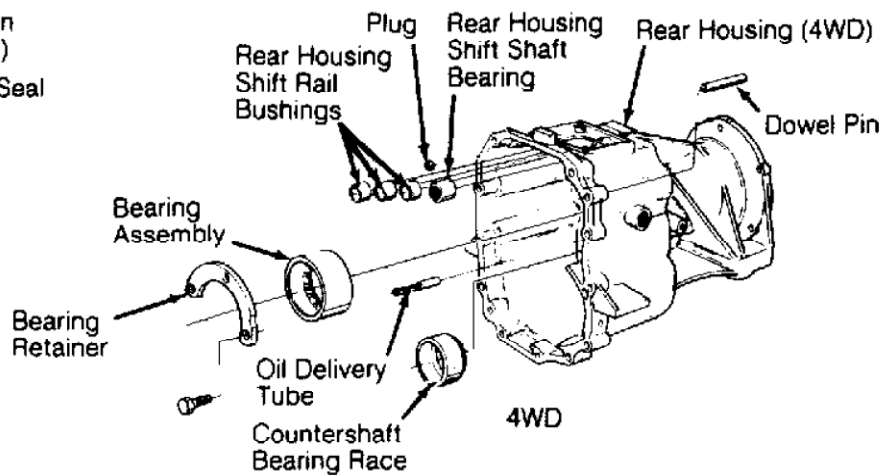
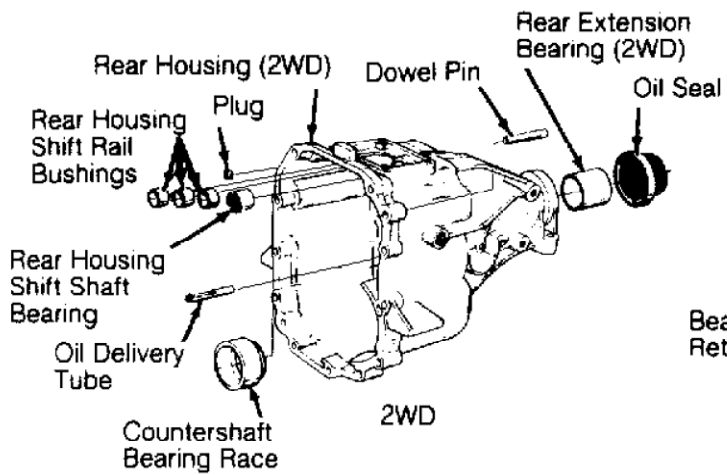
1. Input Shaft
2. Synchronizer Ring
3. Pilot Bearing
4. Mainshaft Assembly
5. Selective Snap Ring
6. 3-4 Synchronizer Assembly
7. Synchronizer Sleeve
8. 3-4 Synchronizer Hub
9. Synchronizer Key
10. Synchronizer Detent Spring
11. Synchronizer Detent Ball
12. 3rd Gear
13. 3rd Gear Bearing Assembly
14. Retainer Ring
15. 2-Piece Thrust Washer
16. 2nd Gear Bearing Assembly
17. 2nd Gear
18. 1-2 Synchronizer Assembly
19. 1-2 Synchronizer Sleeve
20. Snap Ring
21. 1-2 Synchronizer Hub
22. 1st Gear
23. 1st Gear Bearing Assembly
24. Output Shaft
25. Reverse Gear Bearing Assembly
26. Reverse Gear
27. 5th-Reverse Synchronizer Assembly
28. Spiral Lock Ring
29. 5th-Reverse Synchronizer Hub
30. 5th-Reverse Synchronizer Sleeve
31. 5th Gear Bearing Assembly
32. 5th Gear
33. Output Shaft Bearing Retainer (2WD)
34. Output Shaft Bearing Assembly
35. Bolt
36. Output Shaft Bearing Retainer (4WD)
37. Rear Housing (4WD)
38. Speed Sensor Rotor
39. Countershaft Bearing Assembly
40. Countershaft Bearing
41. Countershaft Bearing Race
42. Thrust Washer
43. Reverse Gear
44. Reverse Gear Bearing Assembly
45. Reverse Idler Shaft
46. Countershaft Bearing Plug
47. Front Housing
48. Countershaft Assembly
49. Idler Shaft Support
50. Rear Housing (2WD)



- 1. Spacer
- 2. Input Shaft Bearing Assembly
- 3. Shift Rail Plugs
- 4. Oil Fill Plug
- 5. Front Housing
- 6. Clutch Fork Pivot Assembly
- 7. Lube Fitting
- 8. Countershaft Bearing Plug
- 9. Snap Ring
- 10. Countershaft Bearing Face
- 11. Breather Assembly
- 12. Breather Hose Adapter



- 13. Bolt
- 14. Shift Rail
- 15. Front Housing Bushings
- 16. Lock Nut
- 17. Shift Shaft Lever
- 18. Bias Spring Sleeve
- 19. Bias Load Torsional Spring
- 20. Bias Spring & Sleeve Seat
- 21. Shift Shaft Lever Pin
- 22. Shift Shaft Lever Assembly
- 23. 5th-Reverse Detent Cam Support
- 24. Detent Plunger Bushing



BK235A Kit Contents

OUR ITEM NR	QTY	MFG ITEM NR	MFG DESC
290-14	5	290-14	1-5 SYNCHRO RINGS
308-338.KSE	3	304968	POCKET, FRONT & REAR COUNT
573305D	1	573305D	REAR MAINSHAFT BEARING
CR10289	1	CR10289	2WD REAR SEAL
CR10290	1	CR10290	INPUT SEAL
CR14087	1	CR23049636	4X4 REAR SEAL
CR9846	1	CR9846	S10 REAR SEAL
GM23049494	1	565493B	INPUT BEARING
GS100127	1	TC2030-9	ADAPTER GASKET
SP3500-50	1	SP3500-50	SMALL PARTS KIT