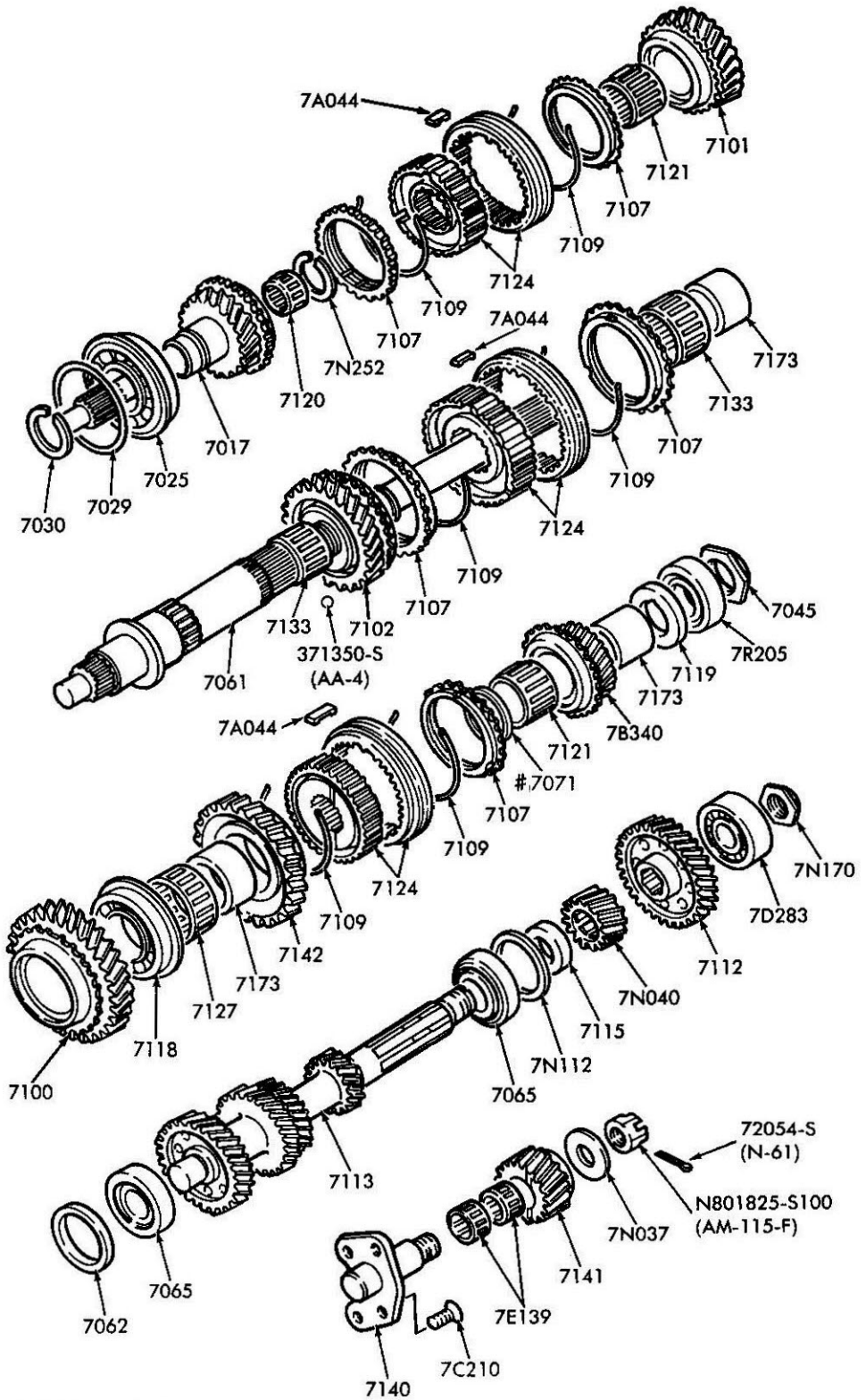


P-18761

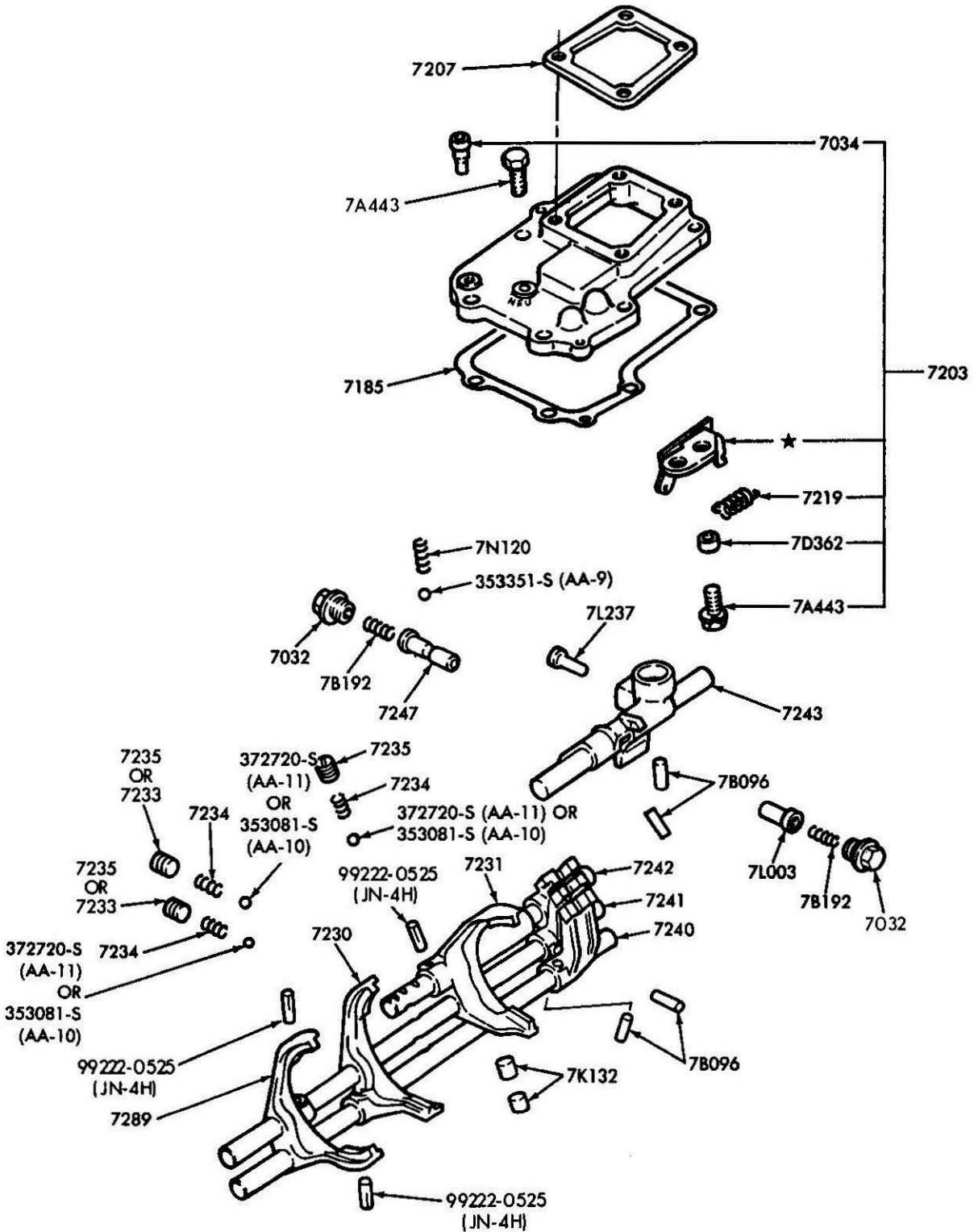
TRANSMISSION CASE, EXTENSION HOUSING and RELATED PARTS - 5 SPEED - MITSUBISHI
1985/ R (4/W/D) - 6 CYL. 171 (2.8L) and 177 (2.9L)



USED FROM 1990/92

P-18762

TRANSMISSION GEAR TRAIN - 5 SPEED - MITSUBISHI
1985/ R (4/W/D) - 6 CYL. 171 (2.8L) & 177 (2.9L)



P-18763

TRANSMISSION SHIFT FORKS and RELATED PARTS - 5 SPEED - MITSUBISHI
1985/ R (4/W/D) - 6 CYL. 171 (2.8L) & 177 (2.9L)