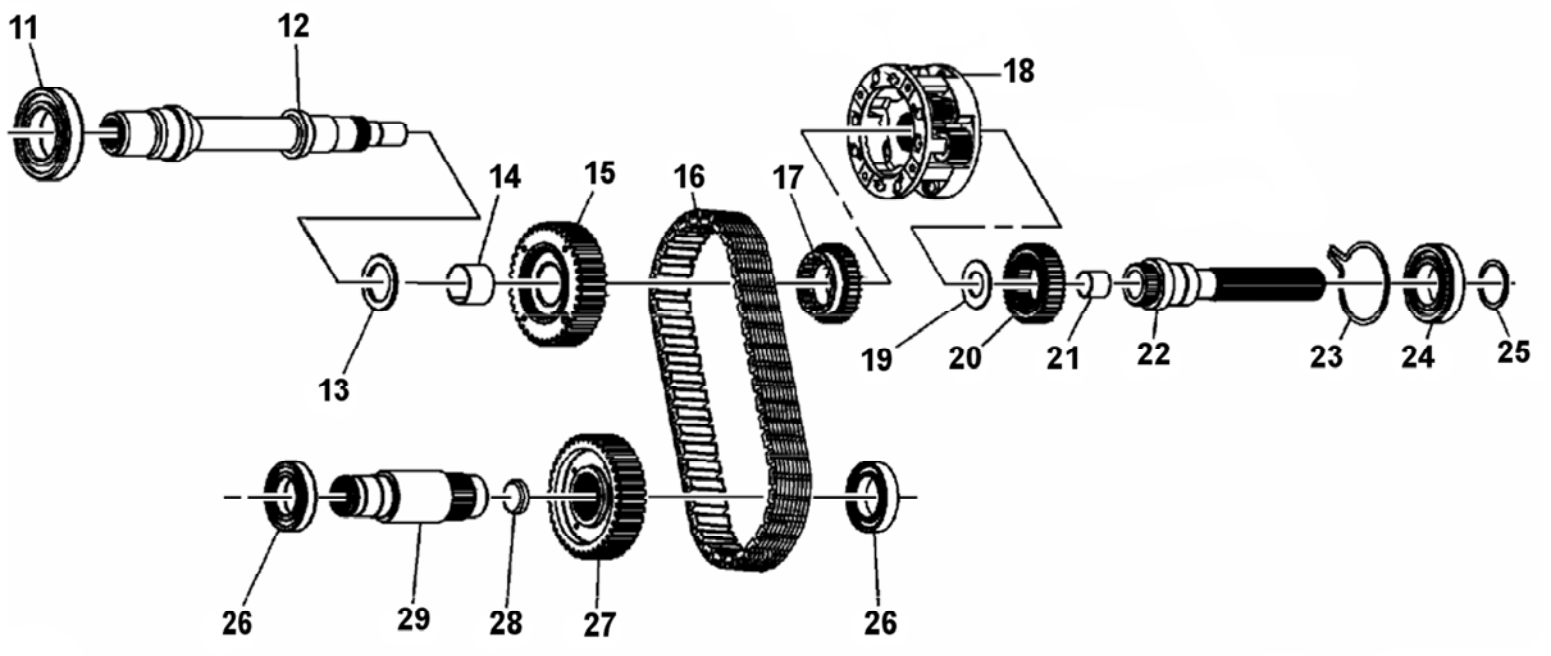
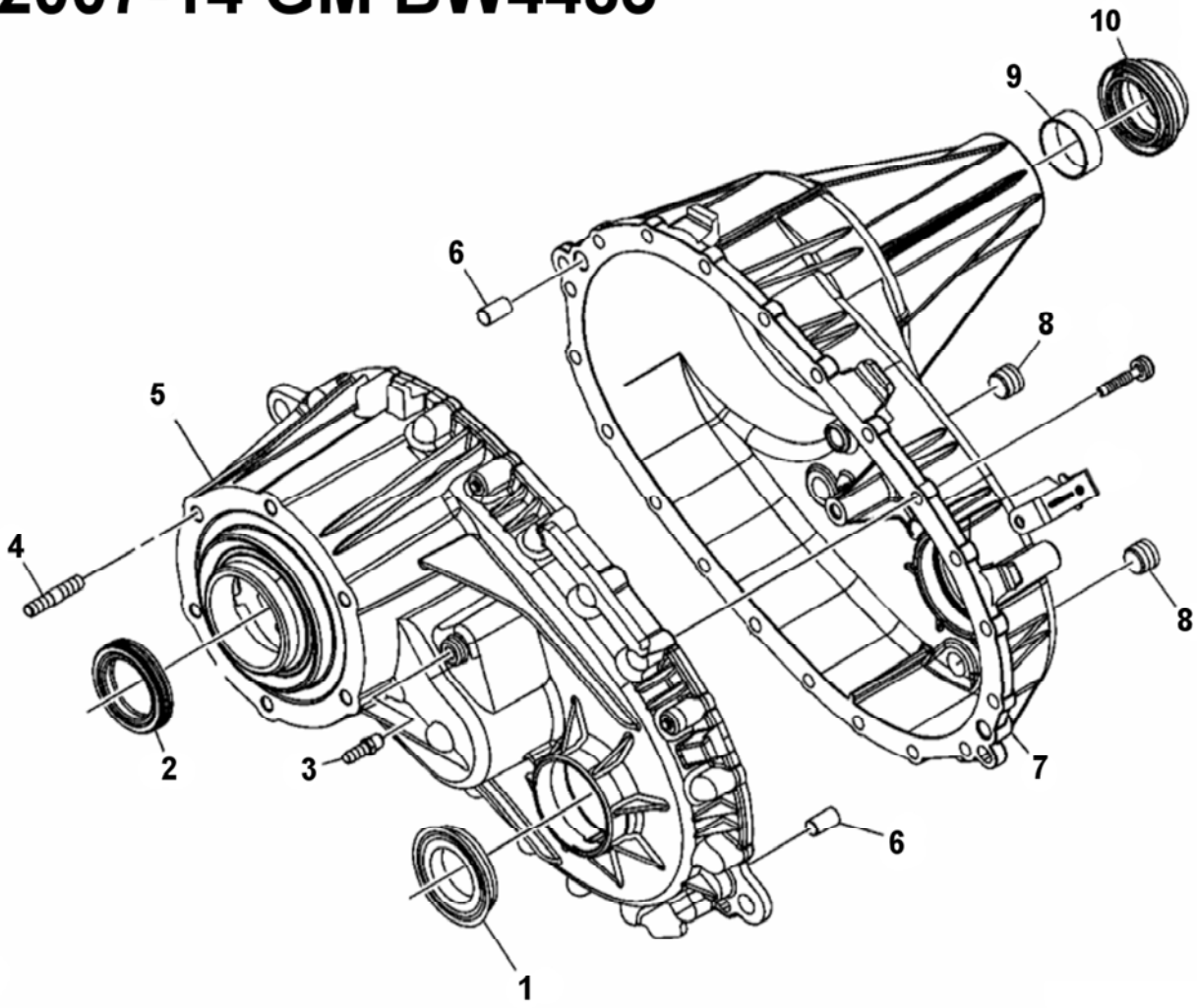


2007-14 GM BW4485



2007-14 GM BW4485

Item #	Description	Application	Notes	GM Part#	ZBAG Part#
1.	Front output seal			88984501	GM88984501
2.	Input seal			19132801	CR18771
3.	Vent			15580319	Call
4.	Mounting stud			89059522	Call
5.	Front case half			19132934	Call
6.	Dowel pin			88984499	Call
7.	Rear case half	2007	1st design, tail bushing is part of rear case	19132804	Call
		2008-14	2nd design, tail bushing is replaceable	19153151	
8.	Drain/fill plug			88984495	Call
9.	Tail bushing	2008-14		19132802	Call
10.	Rear seal			89059495	1300-044-009
11.	Input bearing			88984507	6211
12.	Input shaft			19132803	GM19132803
13.	Thrust washer			88984518 1900-193-052	Call
14.	Drive sprocket bushing			19168732 88984504	1900-247-012
15.	Drive sprocket			19258136	Call
16.	Drive chain			19151772 88984521	HV502
17.	Input Sun gear			88984523	GM88984523
18.	Differential planetary assembly			19210917 89059279	GM89059279
19.	Thrust washer			89059525 88984517	Call
20.	Output sun gear			88984524	Call
21.	Rear output shaft pocket bushing			19168733 88984505	GM19168733
22.	Rear output shaft			19178328 19132806	Call
23.	Rear output bearing snap ring			88984508 1900-139-034	Call
24.	Rear output shaft bearing			88984506	6209N
25.	Rear output shaft snap ring			88984493	Call
26.	Front output shaft bearing			88996564	6009N
27.	Driven sprocket			88984540	Call
28.	Front output shaft plug			89059602	Call
29.	Front output shaft			19153149	Call
Not Shown	Bearing kit				BK4485
	Gasket and seal kit				TSK4485

*** Call for availability on items that do not have a ZBAG part number listed ***