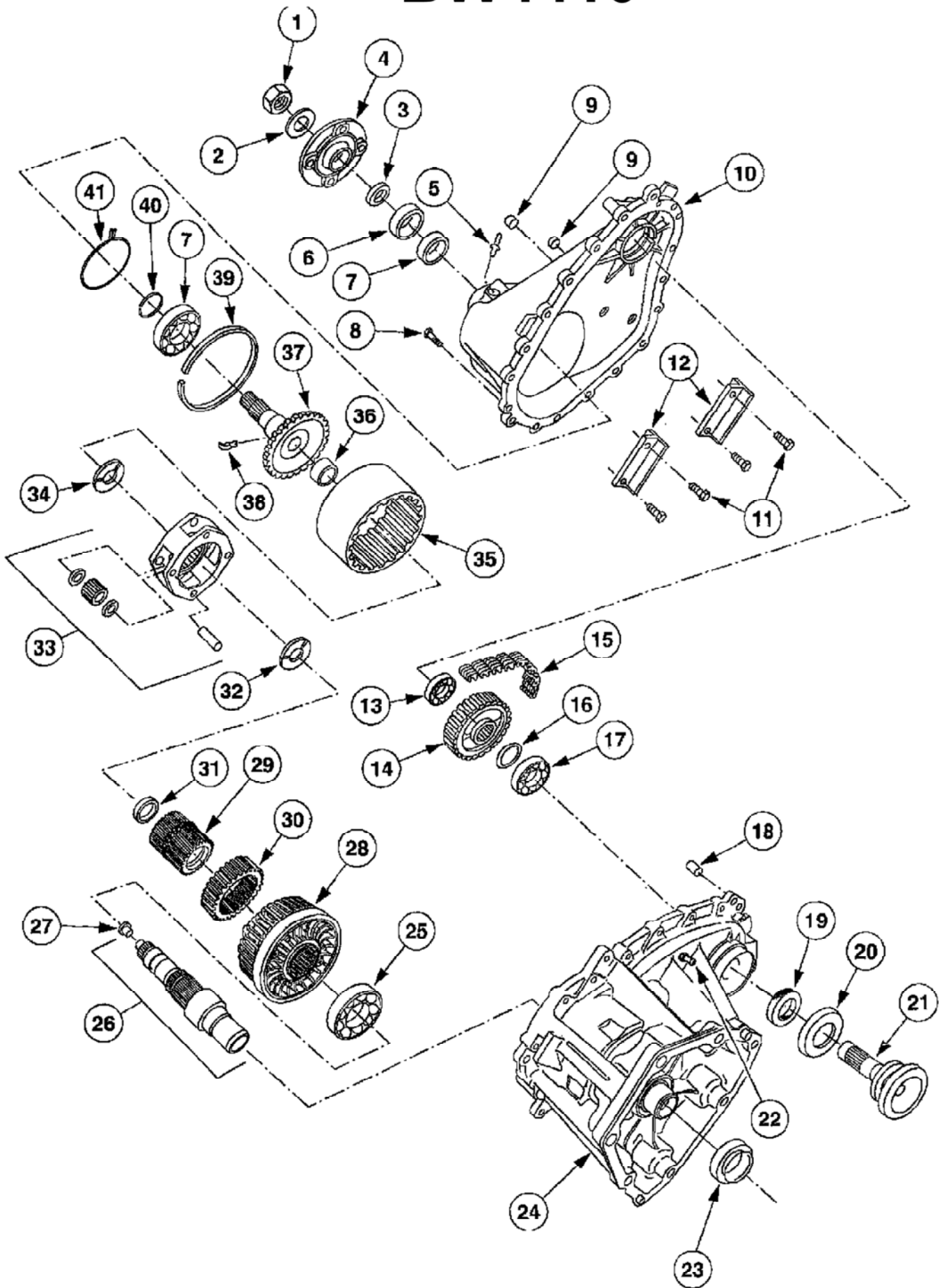


# BW4410



Item	Part Number	Description
1	7045	Shaft nut
2	7B368	Output shaft yoke washer
3	7052	Oil seal
4	7B214	Output flange
5	7C207	Case stud
6	7B215	Yoke to flange seal
7	7025	Bearing
8	7A443	Bolt (17 req'd)
9	7A010	Drain/fill plug
10	7005	Case
11	7A771	Torx® head screw (4 req'd)
12	7F123	Damper snubber
13	7025	Bearing
14	7177	Lower drive sprocket
15	7A029	Drive chain
16	7917	Snap ring
17	7025	Bearing
18	7B362	Spring dowel bushing (2 req'd)
19	7B215	Yoke to flange seal
20	7C016	Dust deflector

Item	Part Number	Description
21	7061	Output shaft
22	383976	Breather barb
23	7B215	Yoke to flange seal
24	7005	Case
25	7025	Bearing
26	7017	Input shaft assembly
27	7L276	Lubricating tube
28	7L499	Coupling (viscous)
29	7177	Lower drive sprocket
30	7D063	Overdrive sun gear
31	—	Bushing (part of 7D063)
32	7C341	Thrust washer
33	7A398	Front planetary gear assembly
34	7A385	Output shaft thrust washer
35	7A153	Ring gear
36	7120	Needle bearing
37	7061	Upper output shaft
38	7L290	Oil scoop
39	7C122	Snap ring
40	7R141	Snap ring
41	7917	Snap ring

G02168708

# BK4410 Kit Contents

OUR ITEM NR	QTY	MFG ITEM NR	MFG DESC
1900-193-006	1	1900-193-006	THRUST WASHER
1900-193-045	2	1900-193-045	THRUST WASHER
207	1	207	FRONT OUTPUT FRONT BEARING
6006	1	6006	REAR OUTPUT REAR BEARING
6206N	1	6206-N	FRONT OUTPUT REAR BEARING
6208N	1	6208-N	FRONT OUTPUT FRONT BEARING
6209	1	209	INPUT BEARING
SCH1310	1	BH1310	INNER INPUT BEARING
TSK4411	1	TSK-4411	GASKET & SEAL KIT